

FLEX

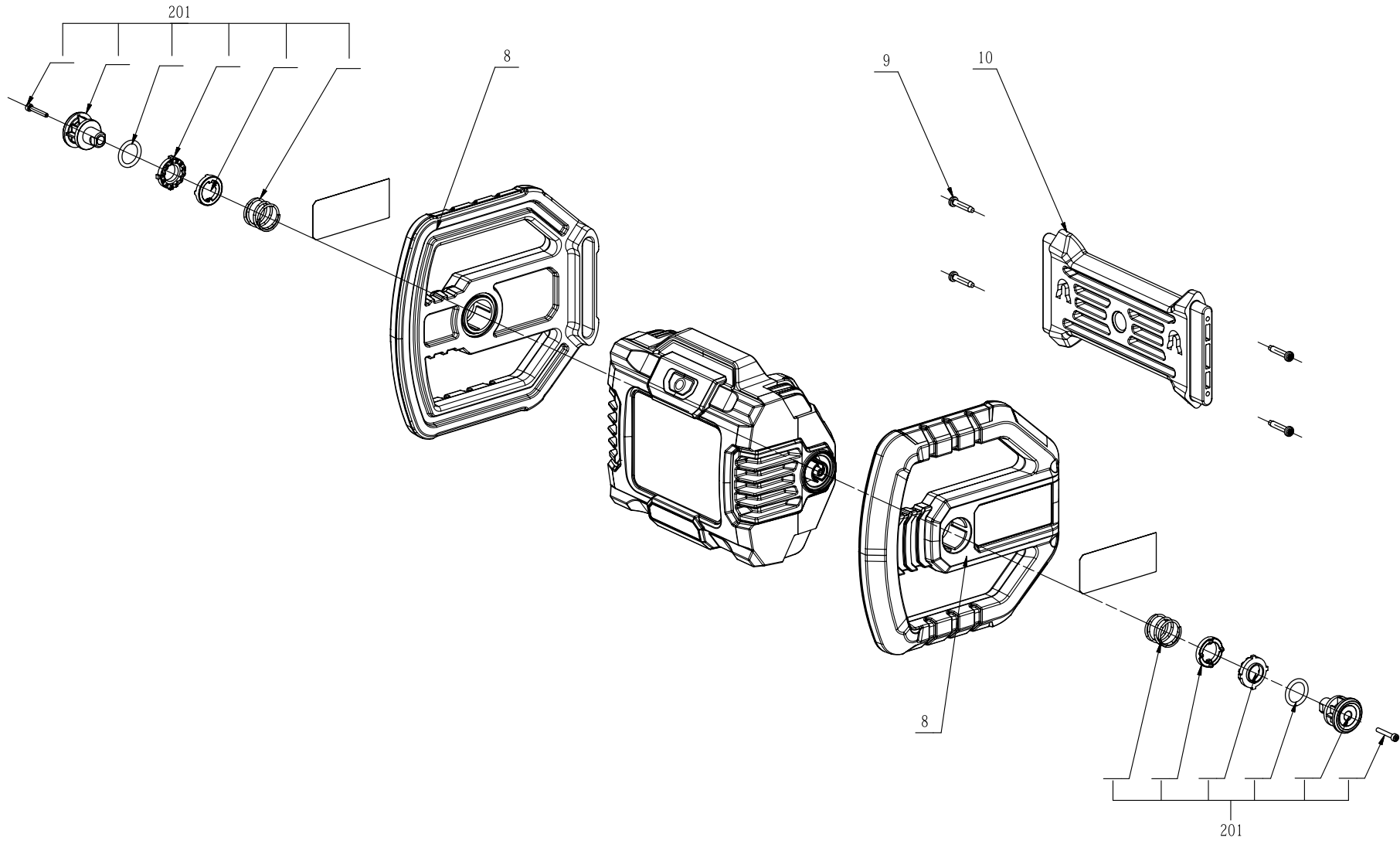
Product Description: Construction Light

Model Number: CL 2000 18.0

Body Number: 0790006003

Version: A

Issue Date: 2020/03/26



No.	Product Model#	Part Number	Description	Qty
201	CL 2000 18.0	2827498001	Spindle Assembly	2
10	CL 2000 18.0	3403053001	Intermediate Support	1
9	CL 2000 18.0	5610277002	Hexagon Lobular Tapping Screw	4
8	CL 2000 18.0	3130064001	Support	2