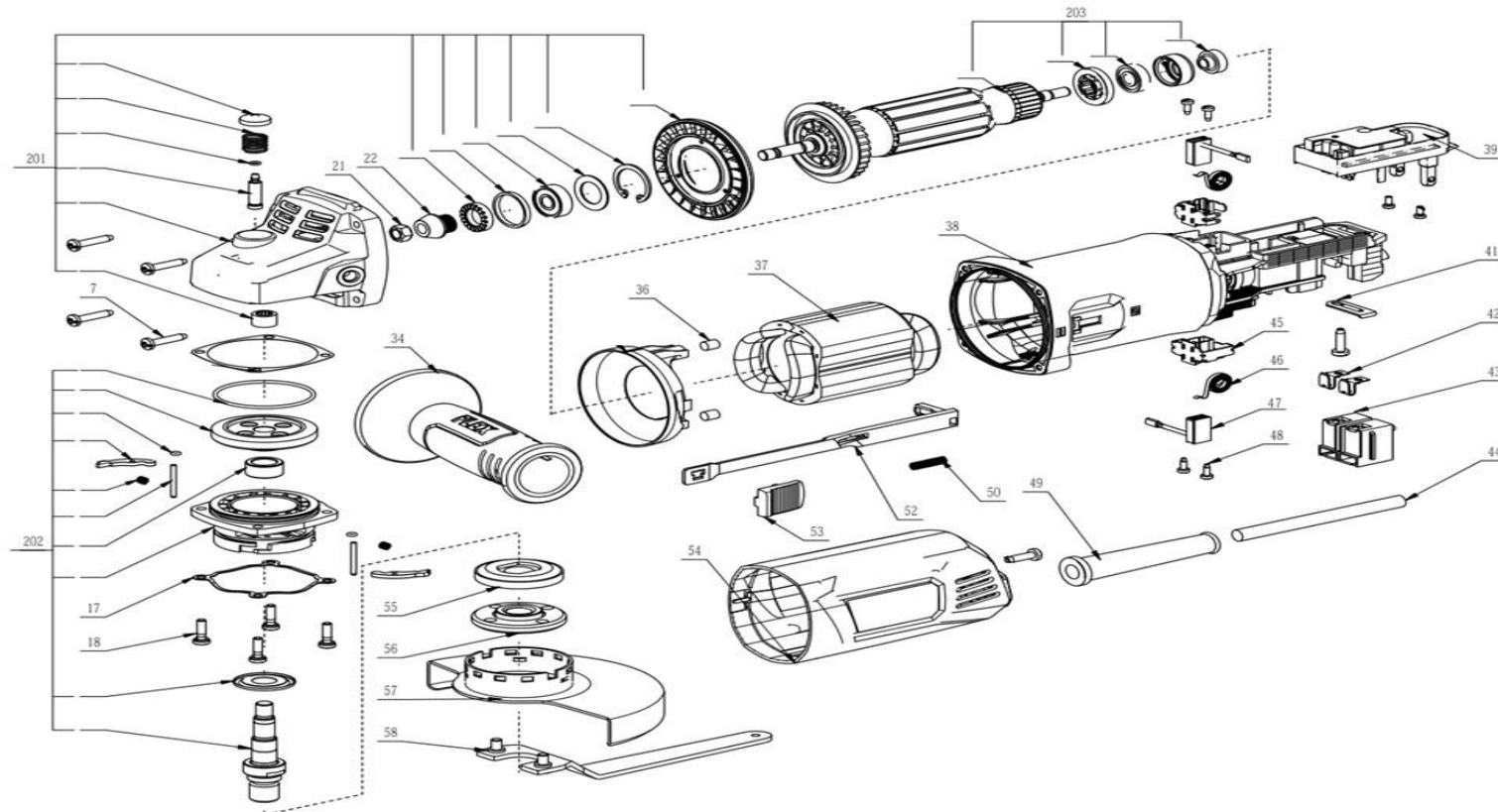


FLEX

Product Description: Angle Grinder
Model Number: L 14-11 125
Body Number: 0580214001
Version: A
Issue Date: 2020/02/10



No.	Product Model#	Part Number	Description	Qty
7	L 14-11 125	5610284001	Tapping Screw	4
17	L 14-11 125	3705843001	Wave Washer	1
18	L 14-11 125	5620360003	Trilobular Screw	4
21	L 14-11 125	5630224002	Nut	1
22	L 14-11 125	3551562001	Pinion	1
34	L 14-11 125	3402853001	Auxiliary Handle ASSY	1
36	L 14-11 125	3121006001	Rubber Insert	2
37	L 14-11 125	2740393004	Stator	1
38	L 14-11 125	3128623001	Front Housing	1
39	L 14-11 125	2830313001	Electric Assembly	1
41	L 14-11 125	3704866001	Cord Anchorage	1
42	L 14-11 125	4930566001	Terminal	2
43	L 14-11 125	4870571003	Push Switch	1
44	L 14-11 125	4810003157	Power Cord & Plug	1
45	L 14-11 125	2800221001	Brush Holder ASSY	2
46	L 14-11 125	3660660001	Spiral Spring	2
47	L 14-11 125	4960372001	Carbon Brush	2
48	L 14-11 125	5610283001	Tapping Screw	4
49	L 14-11 125	3121064001	Cord Guard	1
50	L 14-11 125	3660037001	Spring	1
52	L 14-11 125	3126388001	Switch Actuator	1
53	L 14-11 125	3128008001	Switch Button	1
54	L 14-11 125	2825414005	Rear Housing ASSY	1
55	L 14-11 125	2820067001	Inner Flange	1
56	L 14-11 125	3550109002	Outer Flange	1
57	L 14-11 125	3705835001	Guard	1
58	L 14-11 125	3700583004	Wrench	1
201	L 14-11 125	2826338001	Gear Case ASSY	1
202	L 14-11 125	2826098001	Spindle ASSY	1
203	L 14-11 125	2826430001	Rotor Set	1

