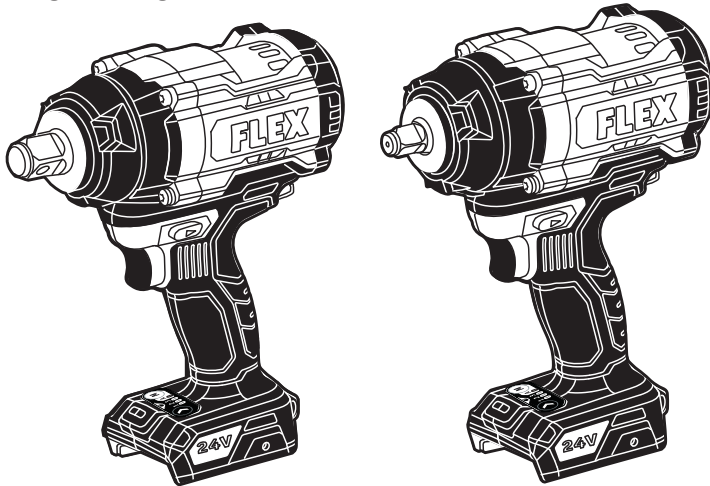


FLEX

**OPERATOR'S MANUAL
MANUEL DE L'UTILISATEUR
MANUAL DEL OPERADOR**



Model:
Modèle:
Modelo:

FX1472 & FX1472B

24V BRUSHLESS HIGH TORQUE IMPACT WRENCH

CLÉ À CHOCS À COUPLE ÉLEVÉ SANS BALAIS DE 24 V

LLAVE DE IMPACTO DE ALTA FUERZA DE TORSIÓN DE 24 V SIN ESCOBILLAS

*Contact Us /
Nous contacter /
Contáctenos*



**833-FLEX-496
(833-3539-496)**



www.Registermyflex.com



**For English
Version**

See page 2

**Version
française**

Voir page 19

**Versión en
español**

Ver la página 39

SAFETY SYMBOLS

The purpose of safety symbols is to attract your attention to possible dangers. The safety symbols and the explanations with them deserve your careful attention and understanding. The symbol warnings do not, by themselves, eliminate any danger. The instructions and warnings they give are no substitutes for proper accident prevention measures.

⚠ WARNING Be sure to read and understand all safety instructions in this Operator's Manual, including all safety alert symbols such as "**DANGER**," "**WARNING**," and "**CAUTION**" before using this tool. Failure to follow all instructions listed below may result in electric shock, fire, and/or serious personal injury.

The definitions below describe the level of severity for each signal word. Please read the manual and pay attention to these symbols.



This is the safety alert symbol. It is used to alert you to potential personal injury hazards. Obey all safety messages that follow this symbol to avoid possible injury or death.



DANGER indicates a hazardous situation which, if not avoided, will result in death or serious injury.



WARNING indicates a hazardous situation which, if not avoided, could result in death or serious injury.



CAUTION, used with the safety alert symbol, indicates a hazardous situation which, if not avoided, will result in minor or moderate injury.

Damage Prevention and Information Messages

These inform the user of important information and/or instructions that could lead to equipment or other property damage if they are not followed. Each message is preceded by the word "NOTICE", as in the example below:



Equipment and/or property damage may result if these instructions are not followed.



The operation of any power tools can result in foreign objects being thrown into your eyes, which can result in severe eye damage. Before beginning power tool operation, always wear safety goggles or safety glasses with side shields and a full face shield when needed. We recommend a Wide Vision Safety Mask for use over eyeglasses or standard safety glasses with side shields. Always use eye protection which is marked to comply with ANSI Z87.1.

GENERAL POWER TOOL SAFETY WARNINGS



WARNING Read all safety warnings, instructions, illustrations and specifications provided with this power tool. Failure to follow all instructions listed below may result in electric shock, fire and/or serious injury.

SAVE ALL WARNINGS AND INSTRUCTIONS FOR FUTURE REFERENCE.

The term “power tool” in the warnings refers to your mains-operated (corded) power tool or battery-operated (cordless) power tool.

Work area safety

Keep work area clean and well lit. Cluttered or dark areas invite accidents.

Do not operate power tools in explosive atmospheres, such as in the presence of flammable liquids, gases or dust. Power tools create sparks which may ignite the dust or fumes.

Keep children and bystanders away while operating a power tool. Distractions can cause you to lose control.

Electrical safety

Power tool plugs must match the outlet. Never modify the plug in any way. Do not use any adapter plugs with earthed (grounded) power tools. Unmodified plugs and matching outlets will reduce risk of electric shock.

Avoid body contact with earthed or grounded surfaces, such as pipes, radiators, ranges and refrigerators. There is an increased risk of electric shock if your body is earthed or grounded.

Do not expose power tools to rain or wet conditions. Water entering a power tool will increase the risk of electric shock.

Do not abuse the cord. Never use the cord for carrying, pulling or unplugging the power tool. Keep cord away from heat, oil, sharp edges or moving parts. Damaged or entangled cords increase the risk of electric shock.

When operating a power tool outdoors, use an extension cord suitable for outdoor use. Use of a cord suitable for outdoor use reduces the risk of electric shock.

If operating a power tool in a damp location is unavoidable, use a ground fault circuit interrupter (GFCI) protected supply. Use of a GFCI reduces the risk of electric shock.

Personal safety

Stay alert, watch what you are doing and use common sense when operating a power tool. Do not use a power tool while you are tired or under the influence of drugs, alcohol or medication. A moment of inattention while operating power tools may result in serious personal injury.

Use personal protective equipment. Always wear eye protection. Protective equipment such as a dust mask, non-skid safety shoes, hard hat or hearing protection used for appropriate conditions will reduce personal injuries.

Prevent unintentional starting. Ensure the switch is in the off-position before connecting to power source and/or battery pack, picking up or carrying the tool. Carrying power tools with your finger on the switch or energizing power tools that have the switch on invites accidents.

Remove any adjusting key or wrench before turning the power tool on. A wrench or a key left attached to a rotating part of the power tool may result in personal injury.

Do not overreach. Keep proper footing and balance at all times. This enables better control of the power tool in unexpected situations.

Dress properly. Do not wear loose clothing or jewelry. Keep your hair and clothing away from moving parts. Loose clothes, jewelry or long hair can be caught in moving parts.

If devices are provided for the connection of dust extraction and collection facilities, ensure these are connected and properly used. Use of dust collection can reduce dust-related hazards.

Do not let familiarity gained from frequent use of tools allow you to become complacent and ignore tool safety principles. A careless action can cause severe injury within a fraction of a second.

Power tool use and care

Do not force the power tool. Use the correct power tool for your application. The correct power tool will do the job better and safer at the rate for which it was designed.

Do not use the power tool if the switch does not turn it on and off. Any power tool that cannot be controlled with the switch is dangerous and must be repaired.

Disconnect the plug from the power source and/or remove the battery pack, if detachable, from the power tool before making any adjustments, changing accessories, or storing power tools. Such preventive safety measures reduce the risk of starting the power tool accidentally.

Store idle power tools out of the reach of children and do not allow persons unfamiliar with the power tool or these instructions to operate the power tool. Power tools are dangerous in the hands of untrained users.

Maintain power tools and accessories. Check for misalignment or binding of moving parts, breakage of parts and any other condition that may affect the power tool's operation. If damaged, have the power tool repaired before use. Many accidents are caused by poorly maintained power tools.

Keep cutting tools sharp and clean. Properly maintained cutting tools with sharp cutting edges are less likely to bind and are easier to control.

Use the power tool, accessories and tool bits etc. in accordance with these instructions, taking into account the working conditions and the work to be performed.

Use of the power tool for operations different from those intended could result in a hazardous situation.

Keep handles and grasping surfaces dry, clean and free from oil and grease. Slippery handles and grasping surfaces do not allow for safe handling and control of the tool in unexpected situations.

Battery tool use and care

Recharge only with the charger specified by the manufacturer. A charger that is suitable for one type of battery pack may create a risk of fire when used with another battery pack.

Use power tools only with specifically designated battery packs. Use of any other battery packs may create a risk of injury and fire.

When battery pack is not in use, keep it away from other metal objects, like paper clips, coins, keys, nails, screws or other small metal objects, that can make a connection from one terminal to another. Shorting the battery terminals together may cause burns or a fire.

Under abusive conditions, liquid may be ejected from the battery; avoid contact. If contact accidentally occurs, flush with water. If liquid contacts eyes, additionally seek medical help. Liquid ejected from the battery may cause irritation or burns.

Do not use a battery pack or tool that is damaged or modified. Damaged or modified batteries may exhibit unpredictable behavior resulting in fire, explosion or risk of injury.

Do not expose a battery pack or tool to fire or excessive temperature. Exposure to fire or temperature above 265 °F (130 °C) may cause explosion.

Follow all charging instructions and do not charge the battery pack or tool outside the temperature range specified in the instructions. Charging improperly or at temperatures outside the specified range may damage the battery and increase the risk of fire.

Service

Have your power tool serviced by a qualified repair person using only identical replacement parts. This will ensure that the safety of the power tool is maintained.

Never service damaged battery packs. Service of battery packs should only be performed by the manufacturer or authorized service providers

SAFETY WARNINGS FOR IMPACT WRENCH

Hold the power tool by insulated gripping surfaces, when performing an operation where the fastener may contact hidden wiring. Fasteners contacting a “live” wire may make exposed metal parts of the power tool “live” and could give the operator an electric shock.

WARNING

Drilling, sawing, sanding or machining wood products can expose you to wood dust, a substance known to the State of California to cause cancer. Avoid inhaling wood dust or use a dust mask or other safeguards for personal protection. For more information go to www.P65Warnings.ca.gov/wood.

WARNING

Some dust created by power sanding, sawing, grinding, drilling and other construction activities contains chemicals known to the State of California to cause cancer, birth defects or other reproductive harm. Some examples of these chemicals are:

- Lead from lead-based paints.
- Crystalline silica from bricks, cement, and other masonry products.










- Arsenic and chromium from chemically-treated lumber.






Your risk from these exposures varies, depending upon how often you do this type of work. To reduce your exposure to these chemicals:

- Work in a well-ventilated area.
- Work with approved safety equipment, such as dust masks that are specially designed to filter out microscopic particles.
- Avoid prolonged contact with dust from power sanding, sawing, grinding, drilling, and other construction activities. Wear protective clothing and wash exposed areas with soap and water. Allowing dust to get into your mouth or eyes or to lie on the skin may promote absorption of harmful chemicals.







SYMBOLS

IMPORTANT: Some of the following symbols may be used on your tool. Please study them and learn their meaning. Proper interpretation of these symbols will allow you to operate the tool better and safer.

Symbol	Name	Designation/Explanation
V	Volts	Voltage
A	Amperes	Current
Hz	Hertz	Frequency (cycles per second)
W	Watt	Power
kg	Kilograms	Weight
min	Minutes	Time
s	Seconds	Time
Wh	Watt-hours	Battery capacity
Ah	Ampere-hours	Battery capacity
∅	Diameter	Size of drill bits, grinding wheels, etc.
n_0	No load speed	Rotational speed, at no load
n	Rated speed	Maximum attainable speed
.../min	Revolutions or reciprocations per minute (rpm)	Revolutions, strokes, surface speed, orbits, etc. per minute
O	Off position	Zero speed, zero torque...
1,2,3,... I,II,III,	Selector settings	Speed, torque, or position settings. Higher number means greater speed
	Infinitely variable selector with off	Speed is increasing from 0 setting
	Arrow	Action in the direction of arrow
	Alternating current (AC)	Type or a characteristic of current
	Direct current (DC)	Type or a characteristic of current
	Alternating or direct current (AC / DC)	Type or a characteristic of current
	Class II tool	Designates Double Insulated Construction tools.
	Protective earth	Grounding terminal
	Li-ion RBRC seal	Designates Li-ion battery recycling program
	Read the instructions	Alerts user to read manual

Symbol	Name	Designation/Explanation
	Wear eye protection symbol	Alerts user to wear eye protection
	Always operate with two hands	Alerts user to always operate with two hands
	Do not use the guard for cut-off operations	Do not use the guard for cut-off operations
	No-Hands Zone	The area between the marked lines on the left and right side of the base. This zone is identified by the No-Hands Zone symbols inside the lines marked on the base.
	Warning symbol	Do not stare at operating lamp

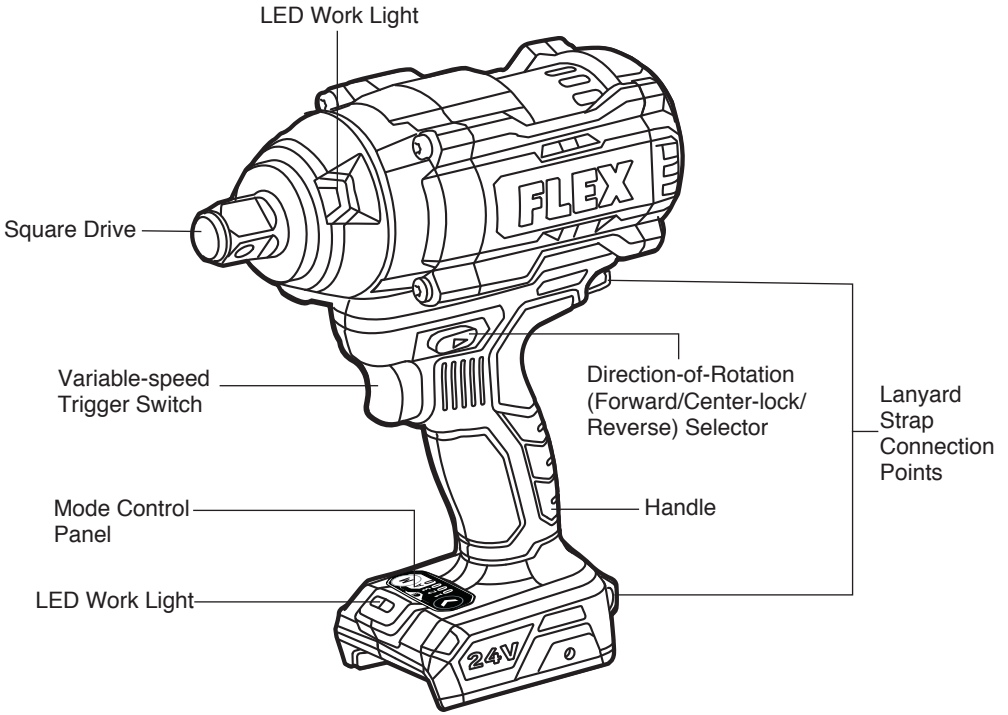
SYMBOLS (CERTIFICATION INFORMATION)

Symbol	Designation/Explanation
	This symbol designates that this tool is listed by Underwriters Laboratories.
	This symbol designates that this component is recognized by Underwriters Laboratories.
	This symbol designates that this tool is listed by Underwriters Laboratories, to United States and Canadian Standards.
	This symbol designates that this tool is listed by the Canadian Standards Association.
	This symbol designates that this tool is listed by the Canadian Standards Association, to United States and Canadian Standards.
	This symbol designates that this tool is listed by the Intertek Testing Services, to United States and Canadian Standards.

FUNCTIONAL DESCRIPTIONS AND SPECIFICATIONS

HIGH TORQUE IMPACT WRENCH

Fig. 1



Model No.	FX1472	FX1472B
Rated Voltage	24 V d.c.	
Square Drive	1/2" (12.7 mm)	3/4" (19.1mm)
No-load Speed	0-500/1000/1900 RPM	
Impacts per minute	0-2350 IPM	
Maximum torque	1100 ft. lbs	1200 ft.lbs
Recommended operating temperature	-4 – 104°F (-20 – 40°C)	
Recommended storage temperature	< 122°F (< 50°C)	

ASSEMBLY

⚠ WARNING Detach the battery pack from the tool before making any assembly, adjustments or changing accessories. Such preventive safety measures reduce the risk of starting the tool accidentally.

TO ATTACH/DETACH BATTERY PACK (FIG. 2)

Lock the variable-speed trigger switch “OFF” on the tool by placing the direction-of-rotation (forward/center-lock/reverse) selector in the center position before attaching or detaching the battery pack.

To attach the battery pack:

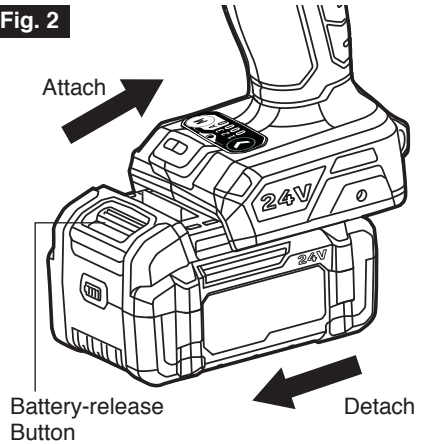
Align the raised rib on the battery pack with the grooves in the tool, and then slide the battery pack onto the tool.

NOTICE When placing the battery pack onto the tool, be sure that the raised rib on the battery pack aligns with the groove inside the tool and that the latches snap into place properly. Improper attachment of the battery pack can cause damage to internal components.

To detach the battery pack:

Depress battery-release button located on the

Fig. 2



front of the battery pack to release the battery pack. Pull the battery pack out and remove it from the tool.

⚠ WARNING Do not attempt to modify this tool or create accessories not recommended for use with this tool. Any such alteration or modification is misuse and could result in a hazardous condition leading to possible serious injury.

INSTALL AND REMOVE THE IMPACT SOCKET (FIG. 3a-3b)

CAUTION Make sure that the impact socket and the mounting portion are not damaged before installing the impact socket.

To install the impact socket:

- Align the square of the impact socket with the square drive and push the impact socket onto the square drive as far as it will go.
- Tap it lightly if required.

To remove the impact socket:

Simply pull it off.

NOTE: The square drive of model FX1472B features a through-hole (Fig. 3b). The through-hole allows for more secure socket retention via compatible socket and use of accessory pin and ring or one-piece retainer.

WARNING Do not use worn or damaged sockets.

WARNING Wear protective gloves when removing the impact socket from the tool, or first allow the impact socket to cool down. The impact socket may be hot after prolonged use.

Fig. 3a

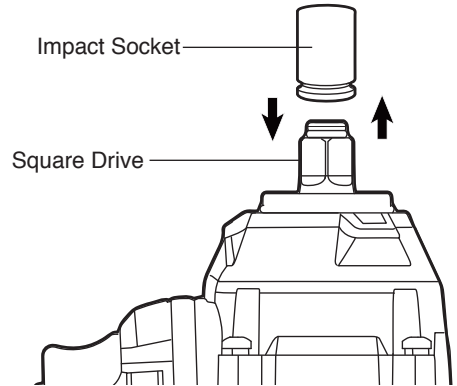
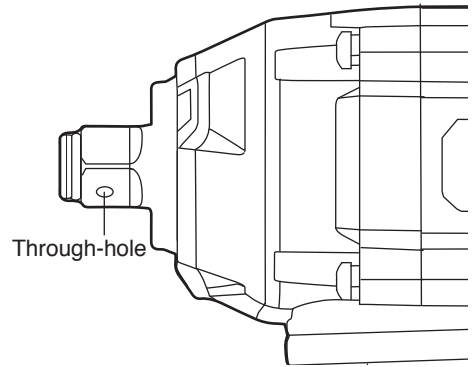


Fig. 3b

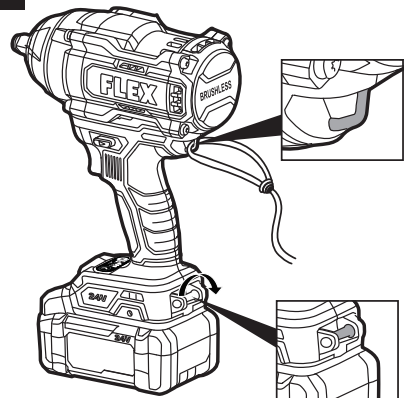


LANYARD STRAP CONNECTION POINTS (FIG. 4)

This tool features two lanyard connection points. A lanyard (sold separately) reduces the risk of dropping the tool.

WARNING Tool is heavy! To reduce the risk of injury, do not use wrist strap.

Fig. 4



ADJUSTMENTS

DIRECTION-OF-ROTATION (FORWARD/CENTER-LOCK/REVERSE) SELECTOR

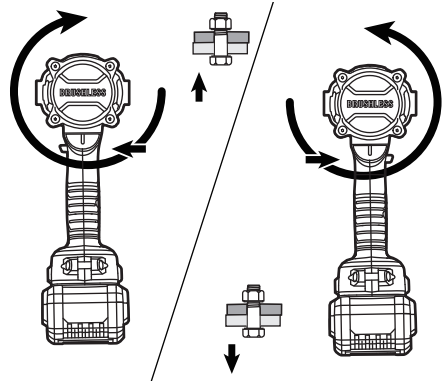
⚠ WARNING After tool use, lock the direction-of-rotation selector in the “OFF” position (center-lock) to help prevent accidental starts and possible injury.

Your tool is equipped with a direction-of-rotation selector, located above the variable-speed trigger switch. This selector is used to change the direction of rotation of the square drive and to lock the variable-speed trigger in the “OFF” (center-lock) position.

- Position the direction-of-rotation selector to the far left of the tool to tighten bolts/nuts (Fig. 5).
- Position the direction-of-rotation selector to the far right of the tool to loosen bolts/nuts (Fig. 5).
- Position the switch in the “OFF” (center-lock) position to help reduce the possibility of accidental starting when not in use.

NOTICE To prevent gear damage, always allow the impact wrench to come to a complete stop before changing the direction of rotation.

Fig. 5



NOTE: The impact wrench will not run unless the direction-of-rotation selector is engaged fully to the left or to the right.

⚠ WARNING Battery tools are always in operating condition.

Therefore, the direction-of-rotation (forward/center-lock/reverse) selector should always be locked in the center position when the tool is not in use or when carrying it at your side.

LED WORK LIGHT (FIG. 6a–6b)

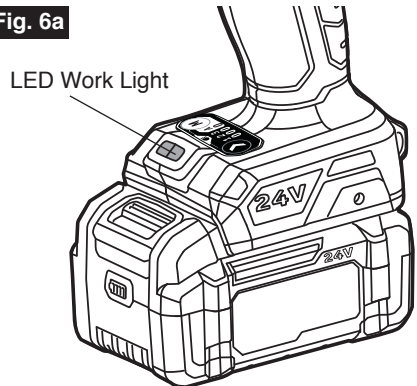
Your tool is equipped with four LED work lights with adjustable brightness (Fig. 6a and 6b). They provide additional illumination on the surface of the workpiece. All four LED work lights turn on and off at the same time as soon as the trigger switch is depressed.

To adjust brightness of the work lights:

NOTE: Brightness adjustment applies to all four work lights. There is no way to adjust the brightness of each light individually.

- Press the "drive-control button" and "M" button simultaneously for 2 seconds until the four indicator lights start flashing at the same time for 0.5 second on and 0.5 second off, indicating that the tool has entered the work lights brightness adjustment mode.
- In the work light brightness adjustment mode, each time you press the trigger switch, the brightness of the two LED work lights will

Fig. 6a



change to the next level and will cycle among the following six brightness levels.

1	2	3	4	5	6
Light off	Lowest 			Highest	

3. Press the drive-control button or “M” button to exit the work lights brightness adjustment mode. If there is no operation for 5 seconds, the tool will automatically exit the brightness adjustment mode.

NOTE: While in the work light brightness adjustment mode, the trigger switch will only function as a brightness adjustment “button”.

The next time the tool is turned on and the memory function will remember and revert to the last work light brightness level.

All four work lights will turn off automatically approximately 10 seconds after the trigger switch is released.

MODE SELECTION (FIG. 7)

Your tool is equipped with a mode control panel, located on the foot of the tool. It consists of the drive-control button, the “M” button, and indicator lights for working modes.

The drive-control button is used to select among three modes with preset torque, rotation-speed (RPM), and impact-speed (IPM) for intended application. The modes 1, 2, and 3 are the only modes where the speed is controlled by the variable-speed trigger switch.

“A” is a special mode, that is designed to be used both with forward rotation for tightening the bolts or nuts and reverse rotation for loosening the bolts or nuts.

In the **forward rotation** position, the impact wrench will stop running when the bolt or nut is pre-tightened, and then the torque wrench can be used to complete the work. This function has high work efficiency and the bolt or nut will not be over-tightened.

In the **reverse rotation** position, once the bolt or nut becomes loose, the impact wrench will stop running to prevent bolt or nut from falling away.

Using the “M” button:

Press the “M” button directly without touching the trigger switch. The corresponding indicator light will illuminate to indicate the active mode.

See more details in the chart below:

Fig. 6b

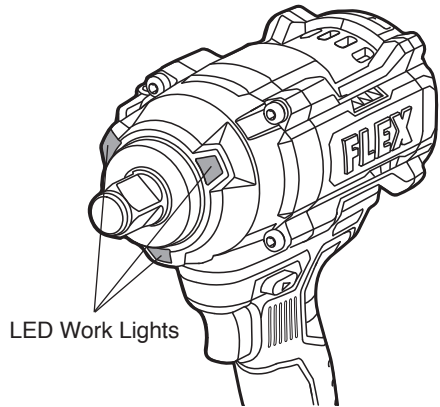
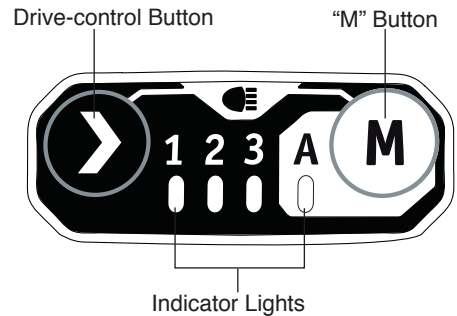










Fig. 7



Forward Rotation:

Indicator light on control panel	Working Mode	Maximum IPM (Impacts per minute)	Application
	1	1000	Fine-tuned tightening of small bolts and nuts.
	2	2000	Moderate tightening torque.
	3	2350	Maximum tightening torque.
	A	/	Tightening with automatic stop.

Reverse Rotation:

Indicator light on control panel	Working Mode	Maximum IPM (Impacts per minute)	Application
	1	1000	Fine-tuned loosening of small bolts and nuts.
	2	2000	Moderate loosening torque.
	3	2350	Maximum loosening torque.
	A	/	Loosening with automatic stop.

 ON ;  OFF

⚠ WARNING Do not change the working mode while the tool is running. Sudden change of torque may cause the loss of control causing possible injury or damage to the tool or workpiece.

NOTE: The LED indicator(s) will turn off approximately 1min after the trigger switch is released.

NOTE: When the tool is turned on after a break, the working mode will revert to the last used setting.

OPERATING INSTRUCTIONS

⚠ WARNING To reduce the risk of fire, personal injury, and product damage due to a short circuit, never immerse your tool, battery pack or charger in fluid or allow a fluid to flow inside them. Corrosive or conductive fluids, such as seawater, certain industrial chemicals, and bleach or bleach-containing products, etc. can cause a short circuit.

⚠ WARNING If any parts are damaged or missing, do not operate this product until the parts are replaced. Use of this product with damaged or missing parts could result in serious personal injury.

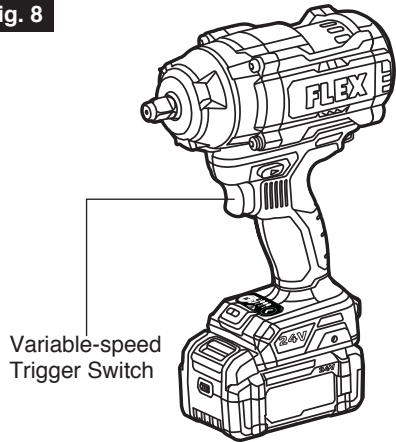
⚠ WARNING To prevent accidental starting that could cause serious personal injury, always remove the battery pack from the tool when assembling parts.

VARIABLE-SPEED TRIGGER SWITCH (FIG. 8)

Your tool is equipped with a variable-speed trigger switch. The tool can be turned ON or OFF by depressing or releasing the variable speed trigger switch.

The variable-speed trigger switch delivers higher speed with increased trigger pressure and lower speed with decreased trigger pressure.

Fig. 8



This impact wrench must be used only with the battery packs and chargers listed below:

Battery Pack								Charger			
2.0Ah	2.5Ah	3.5Ah	5.0Ah	6Ah	8.0Ah	10Ah	12Ah	FLEX FX0411	FLEX FX0421	FLEX FX0431	FLEX FX0451
FX0311	FX0111	FX0321	FX0121	FX0331	FX0221	FX0341	FX0231				

NOTE: Please refer to the battery pack and charger manuals for detailed operating instructions.

TIGHTEN AND LOOSEN NUTS AND BOLTS (FIG. 9)

To tighten nuts and bolts

Use the hex socket that matches the nut or bolt.

Select a proper working mode or “A” mode depending on the type or size of the bolt and nut. Before starting your job, always perform a test operation to determine the proper fastening time for your bolt or nut.

- Set the direction-of-rotation selector to forward setting.
- Hold the tool firmly and place the socket over the bolt or nut. Ensure that full length of the bolt head or nut is fully engaged into socket.
- Depress the variable-speed trigger switch to turn the impact wrench on. Start slowly, increasing the speed as the nut or bolt runs down. Set the nut or bolt snugly by slowing the tool to a stop.

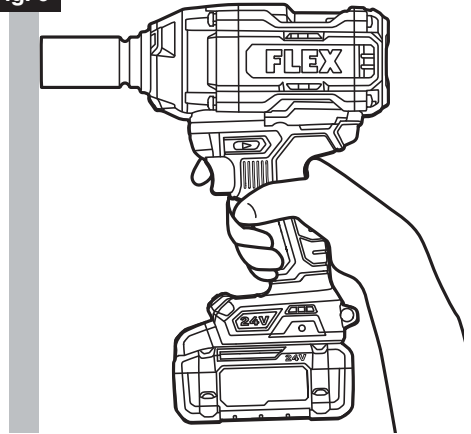
⚠ WARNING If this procedure is not followed, the tool will have a tendency to torque or twist in your hands.

- Fasten the bolt or nut to the proper torque.
- After fastening, always check the torque with a torque wrench. If the fasteners are too tight, reduce the impacting time. If they are not tight enough, increase the impacting time.

NOTE: Hold the tool straight along the axis of the bolt or nut.

NOTICE Excessive fastening torque may damage the bolt/nut or socket.

Fig. 9



To loosen nuts and bolts

Use either mode 1, 2, 3 or “A” mode to loosen nuts and bolts depending on the application.

When working overhead or working on car tires, to prevent the loosened fasteners from falling to the ground or into a tight space, it is recommended to use the “A” mode to do this job.

- Set the direction-of-rotation to reverse setting.
- Hold the tool firmly and place the socket over the bolt or nut. Ensure that full length of the bolt head or nut is fully engaged into socket.
- Depress the variable-speed trigger switch to turn the impact wrench on. Once the fastener is loose, the tool will stop running. This tool also allows you to continue to depress the trigger switch for removing the nut from the long bolt, if necessary.

MAINTENANCE

SERVICE

⚠ WARNING Preventive maintenance performed by unauthorized personnel may result in misplacing of internal wires and components which could cause a serious hazard. We recommend that all tool service be performed by a FLEX Factory Service Center or Authorized FLEX Service Station.

GENERAL MAINTENANCE

⚠ WARNING When servicing, use only identical replacement parts. Use of any other parts could create a hazard or cause product damage. Periodically inspect the entire product for damaged, missing, or loose parts such as screws, nuts, bolts, caps, etc. Tighten securely all fasteners and caps and do not operate this product until all missing or damaged parts are replaced. Please contact customer service or an authorized service center for assistance.

⚠ WARNING To avoid serious personal injury, always remove the battery pack from the charger/tool when cleaning or performing any maintenance.

CLEANING

The tool may be cleaned most effectively with compressed dry air.

⚠ WARNING Always wear safety goggles when cleaning tools with compressed air. Ventilation openings and switch levers must be kept clean and free of foreign matter. Do not attempt to clean by inserting pointed objects through openings.

⚠ WARNING Certain cleaning agents and solvents damage plastic parts. Some of these are: gasoline, carbon tetrachloride, chlorinated cleaning solvents, ammonia and household detergents that contain ammonia.

STORAGE

Store the tool indoors in a place that is inaccessible to children. Keep away from corrosive agents.

FLEX 5-YEAR LIMITED WARRANTY

Chervon North America, Inc. ("Seller") warrants to the original purchaser only, that all FLEX 24V products will be free from defects in material or workmanship for a period of five years from date of purchase when the original purchaser registers the product within 30 days from the date of original retail purchase and retains their receipt as proof of purchase. THE 5-YEAR LIMITED WARRANTY PERIOD IS CONDITIONED ON REGISTRATION OF THE PRODUCT WITHIN 30 DAYS OF PURCHASE AND ONLY APPLICABLE TO FLEX 24V TOOLS, BATTERIES AND CHARGERS. If the original purchaser does not register their product within 30 days, the foregoing limited warranty will apply for a duration of three years. Product registration can be completed online at www.registermyflex.com.

24V Tools: 5-Year Limited Warranty with Registration

24V Batteries and Chargers: 5-Year Limited Warranty with Registration

Corded, 12V and 20V FLEX Legacy Products: 1-Year Limited Warranty, No Registration Benefit

FLEX STACK PACK™ Storage System: 1-Year Limited Warranty with Registration

Functional Attachments FT161 and FT421: 5-Year Limited Warranty with Registration / 3-Year Limited Warranty without registration

Other Accessories and Attachments: No Warranty

SELLER'S SOLE OBLIGATION AND YOUR EXCLUSIVE REMEDY under this Limited Warranty and, to the extent permitted by law, any warranty or condition implied by law, shall be the repair or replacement of parts, without charge, which are defective in material or workmanship and which have not been misused, carelessly handled, or repaired by persons other than a FLEX Authorized Service Dealer. This warranty does not cover part failure due to normal wear and tear. To make a claim under warranty, return the complete product, transportation prepaid, to any FLEX Authorized Service Dealer. For Authorized FLEX Service Dealers, please visit www.registermyflex.com or call 1-833-FLEX-496 (1-833-353-9496).

The 5-Year Limited Warranty does not apply to accessories, attachments or parts.

The 1-Year limited warranty for FLEX STACK PACK™ Storage System covers only tool boxes and does not apply to system attachments and power tool accessories.

Any implied warranties applicable to a product shall be limited in duration equal to the duration of the express warranties applicable to such product, as set forth in the first paragraph above. Some states in the U.S. and some Canadian provinces do not allow limitations on how long an implied warranty lasts, so the above limitation may not apply.

FLEX is not responsible for direct, indirect, incidental or consequential damages. Some U.S. states and Canadian provinces do not allow limitations on how long an implied warranty lasts and/or do not allow the exclusion or limitation of incidental or consequential damages, so the above limitations or exclusions may not apply. This limited warranty gives you specific legal rights, and you may also have other rights which vary by state in the U.S. and by province in Canada.

This limited warranty applies only to products sold within the United States of America, Canada and the commonwealth of Puerto Rico. For warranty coverage within other countries, contact your local FLEX dealer.

© Chervon North America, 1203 E. Warrenville Rd., Naperville, IL 60563

www.flexpowertools.com





www.registermyflex.com

1-833-FLEX-496 (1-833-353-9496)

SYMBOLES RELATIFS À LA SÉCURITÉ

La raison d'être des symboles relatifs à la sécurité est d'attirer votre attention sur des dangers possibles. Il est important de vous familiariser avec les symboles relatifs à la sécurité et les explications qui les accompagnent afin de bien les comprendre. Les avertissements et les symboles associés ne suffisent pas à éliminer tous les dangers. Les instructions et les avertissements qu'ils donnent ne sauraient remplacer des mesures de prévention des accidents appropriées.

⚠ AVERTISSEMENT Lisez toutes les consignes de sécurité qui sont contenues dans ce Mode d'emploi, y compris tous les symboles d'alerte relatifs à la sécurité tels que « **DANGER** », « **AVERTISSEMENT** » et « **MISE EN GARDE** », et assurez-vous que vous les comprenez bien avant de commencer à utiliser cet outil. La non-observation de toutes les instructions figurant ci-après pourrait causer un choc électrique, un incendie et/ou des blessures personnelles graves.

Les définitions ci-dessous décrivent le niveau de gravité pour chaque terme signalant un danger. Veuillez lire le mode d'emploi et lire la signification de ces symboles.	
	C'est le symbole d'alerte relatif à la sécurité. Il est utilisé pour vous avertir de l'existence possible d'un danger de lésion corporelle. Obéissez à tous les messages relatifs à la sécurité qui suivent ce symbole pour éviter tout risque de blessure ou même de mort.
	DANGER indique une situation dangereuse qui, si elle n'est pas évitée, causera la mort d'une personne ou une blessure grave.
	AVERTISSEMENT indique une situation dangereuse qui, si elle n'est pas évitée, causera la mort d'une personne ou une blessure grave.
	MISE EN GARDE, conjointement avec le symbole d'alerte en liaison avec la sécurité, indique une situation dangereuse qui, si elle n'est pas évitée, causera une blessure légère ou modérée.

Messages d'information et de prévention des dommages

Ils informent l'utilisateur d'informations et/ou d'instructions importantes qui pourraient entraîner des dommages matériels ou aux équipements s'ils ne sont pas suivis. Chaque message est précédé par le terme « AVIS », comme dans l'exemple ci-dessous :

AVIS Un dommage matériel et/ou aux équipements peut survenir si ces instructions ne sont pas suivies.



⚠ AVERTISSEMENT Pendant leur fonctionnement, les outils électriques peuvent projeter des corps étrangers dans les yeux de leur utilisateur et lui infliger de graves blessures aux yeux. Portez toujours des lunettes de protection ou des lunettes de sécurité à écrans latéraux et un masque couvrant tout le visage lors de l'utilisation de ce produit. Nous recommandons de porter un masque de sécurité à vision latérale large au-dessus des lunettes ordinaires ou des lunettes de sécurité standard avec des écrans de protection sur les côtés. Utilisez toujours un équipement de protection des yeux indiquant qu'il est conforme à la norme ANSI Z87.1.

AVERTISSEMENTS GÉNÉRAUX RELATIFS À LA SÉCURITÉ POUR LES OUTILS ÉLECTRIQUES

⚠ AVERTISSEMENT Lisez tous les avertissements relatifs à la sécurité, les instructions, les illustrations et les spécifications fournies avec cet outil électrique. Le non-respect de toutes les instructions figurant ci-après pourrait causer un choc électrique, un incendie et/ou des blessures graves.

CONSERVEZ TOUS LES AVERTISSEMENTS ET TOUTES LES INSTRUCTIONS POUR RÉFÉRENCE FUTURE.

Le terme « outil électrique » dans les avertissements fait référence à votre outil électrique à cordon électrique branché dans une prise secteur ou à votre outil électrique à piles (sans fil).

Sécurité de la zone de travail

Gardez votre zone de travail propre et bien éclairée. Des zones encombrées ou sombres sont propices aux accidents.

N'utilisez pas des outils électriques dans une atmosphère explosive, par exemple en présence de liquides, de gaz ou de poussières inflammables. Les outils électriques produisent des étincelles qui risquent de mettre feu aux poussières ou aux émanations de fumée.

Gardez les enfants et autres personnes présentes à une distance suffisante lorsque vous utilisez un outil électrique. Des distractions risqueraient de vous faire perdre le contrôle.

Sécurité électrique

La fiche de l'outil électrique doit correspondre à la prise de courant. Ne modifiez jamais une fiche de quelque façon que ce soit. N'utilisez pas d'adaptateurs de fiches avec des outils électriques mis à la terre/à la masse. L'emploi de fiches non modifiées et de prises de courant correspondant naturellement aux fiches réduira le risque de choc électrique.

Évitez tout contact de votre corps avec des surfaces mises à la terre ou à la masse telles que des surfaces de tuyaux, de radiateurs, de cuisinières et de réfrigérateurs. Il existe un risque accru de choc électrique si votre corps est en contact avec la terre ou la masse.

N'exposez pas d'outils électriques à la pluie ou à un environnement humide. La pénétration d'eau dans un outil électrique augmentera le risque de choc électrique.

N'utilisez pas le cordon de façon abusive. N'utilisez pas le cordon pour porter, tirer ou débrancher l'outil électrique. Tenez le cordon à distance de toute source de chaleur, d'huile, de bords tranchants ou de pièces mobiles. Des cordons endommagés ou entortillés augmentent le risque de choc électrique.

Lorsque vous utilisez un outil électrique à l'extérieur, employez un cordon de rallonge approprié pour un emploi à l'extérieur. L'utilisation d'un cordon approprié pour une utilisation à l'extérieur réduit le risque de choc électrique.

S'il est inévitable d'utiliser un outil électrique dans un environnement humide, utilisez une alimentation protégée par un disjoncteur de circuit de fuite à la terre. L'utilisation d'un tel circuit réduit le risque de choc électrique.

Sécurité personnelle

Faites preuve de vigilance et de bon sens, et observez attentivement ce que vous faites lorsque vous utilisez un outil électrique. N'utilisez pas un outil électrique si vous êtes fatigué(e) ou sous l'influence de drogues, d'alcool ou de médicaments. Un simple moment d'inattention pendant que vous utilisez un outil électrique pourrait causer une blessure grave.

Utilisez des équipements de protection personnelle. Portez toujours des équipements de protection des yeux. Des équipements de protection tels qu'un masque de protection contre la poussière, des chaussures de sécurité antidérapantes, un casque ou un dispositif de protection de l'ouïe utilisés en fonction des conditions réduiront le nombre des blessures.

Prévenez une mise en marche accidentelle. Assurez-vous que l'interrupteur est dans la position d'arrêt (OFF) avant de connecter l'appareil à une source d'alimentation et/ou à un bloc-piles, de le soulever ou de le transporter. Le fait de transporter des outils électriques avec le doigt sur l'interrupteur ou de mettre sous tension des outils électriques avec l'interrupteur en position de marche invite les accidents.

Retirez toute clé de réglage pouvant être attachée à l'outil avant de mettre l'outil électrique sous tension. Une clé laissée attachée à une pièce en rotation de l'outil électrique pourrait causer une blessure.

Ne faites rien qui risquerait de vous faire perdre l'équilibre. Veillez à toujours garder un bon équilibre et un appui stable. Ceci permet de mieux contrôler l'outil électrique dans des situations inattendues.

Portez des vêtements appropriés. Ne portez pas de bijoux ou de vêtements amples. Gardez vos cheveux et vos vêtements à une distance suffisante des pièces mobiles. Les vêtements amples, bijoux ou cheveux longs pourraient être attrapés par des pièces mobiles.

Si des dispositifs sont fournis pour le raccordement d'accessoires d'extraction et de collecte de la poussière, assurez-vous qu'ils sont connectés et utilisés de façon appropriée. L'emploi correct de l'accessoire de collecte de la poussière peut réduire les dangers associés à la poussière.

Ne laissez pas la familiarité résultant de l'utilisation fréquente des outils vous inciter à devenir complaisant(e) et à ignorer les principes de sécurité des outils. Une action négligente pourrait causer des blessures graves en une fraction de seconde.

Utilisation et entretien de l'outil électrique

N'imposez pas de contraintes excessives à l'outil électrique. Utilisez l'outil électrique approprié pour votre application. L'outil électrique correct fera le travail plus efficacement et avec plus de sécurité à la vitesse à laquelle il a été conçu pour fonctionner.

N'utilisez pas l'outil électrique si l'interrupteur de marche/arrêt ne permet pas de le mettre sous tension/hors tension. Tout outil électrique qui ne peut pas être contrôlé

par son interrupteur est dangereux et doit être réparé.

Débranchez la fiche de la prise secteur et/ou retirez le bloc-piles de l'outil électrique (s'il est amovible) avant d'y apporter de quelconques modifications, de changer d'accessoire ou de ranger l'outil électrique. De telles mesures de sécurité préventives réduisent le risque de déclenchement accidentel de l'outil électrique.

Rangez les outils électriques qui ne sont pas utilisés activement hors de portée des enfants, et ne laissez aucune personne n'ayant pas lu ces instructions et ne sachant pas comment utiliser un tel outil se servir de cet outil. Les outils électriques sont dangereux quand ils sont entre les mains d'utilisateurs n'ayant pas reçu la formation nécessaire à leur utilisation.

Entretenez de façon appropriée les outils électriques et les accessoires. Assurez-vous que les pièces en mouvement sont bien alignées et qu'elles ne se coincent pas, qu'il n'y a pas de pièces cassées ou qu'il n'existe aucune situation pouvant affecter le fonctionnement de l'outil électrique. Si l'outil électrique est endommagé, faites-le réparer avant de vous en servir à nouveau. De nombreux accidents sont causés par des outils électriques mal entretenus.

Gardez les outils de coupe tranchants et propres. Des outils de coupe entretenus de façon adéquate avec des bords de coupe tranchants sont moins susceptibles de se coincer et sont plus faciles à contrôler.

Utilisez l'outil électrique, les accessoires, les mèches de perçage, etc. conformément à ces instructions, en tenant compte des conditions de travail et de la tâche à accomplir. L'utilisation de l'outil électrique pour des opérations différentes de celles pour lesquelles il est conçu pourrait causer une situation dangereuse.

Gardez les poignées et les surfaces de préhension propres, sèches et exemptes de toute trace d'huile ou de graisse. Les poignées et les surfaces de préhension glissantes ne permettent pas une manipulation et un contrôle sûrs de l'outil dans des situations inattendues.

Utilisation et entretien de l'outil électrique à pile

Ne rechargez l'outil qu'avec le chargeur indiqué par le fabricant. Un chargeur qui est approprié pour un type de bloc-piles pourrait créer un risque d'incendie quand il est utilisé avec un autre bloc-piles.

Utilisez votre outil exclusivement avec des blocs-piles conçus spécifiquement pour celui-ci. L'emploi de tout autre bloc-piles risquerait de causer des blessures et un incendie.

Lorsque le bloc-piles n'est pas utilisé, gardez-le à une distance suffisante des autres objets en métal, comme des trombones, pièces de monnaie, clés, clous, vis ou autres petits objets en métal qui pourraient faire une connexion entre une borne et une autre. Le court-circuitage des bornes d'une pile pourrait causer des brûlures ou un incendie.

Dans des conditions d'utilisation abusives, du liquide pourrait être éjecté de la pile; évitez tout contact. En cas de contact accidentel, lavez avec de l'eau. En cas de contact de liquide avec les yeux, consultez un professionnel de santé. Tout liquide éjecté d'une pile peut causer de l'irritation ou des brûlures.

N'utilisez pas un bloc-piles ou un outil qui est endommagé ou a été modifié. Des piles endommagées ou modifiées peuvent se comporter de façon imprévisible et causer un incendie, une explosion ou des blessures.

N'exposez pas un bloc-piles ou un outil à un feu ou à une température excessive. L'exposition à un feu ou à une température supérieure à 130° C / 265° F pourrait causer une explosion.

Suivez toutes les instructions relatives à la charge et ne chargez pas le bloc-piles ou l'outil en dehors de la plage de température indiquée dans les instructions. Une charge dans des conditions appropriées ou à des températures en dehors de la plage spécifiée pourrait endommager la pile et augmenter le risque d'incendie.

Service après-vente

Faites entretenir votre outil électrique par un réparateur compétent n'utilisant que des pièces de rechange identiques. Ceci assurera le maintien de la sécurité de l'outil électrique.

Ne tentez jamais de réparer des blocs-piles endommagés. La réparation de blocs-piles ne doit être effectuée que par le fabricant ou un prestataire de services agréé.

AVERTISSEMENTS RELATIFS À LA SÉCURITÉ POUR LA VISSEUSE À PERCUSSION

**Hold the power tool by insulated gripping
Tenez l'outil électrique par ses surfaces de
préhension isolées lorsque vous effectuez
une opération dans le cadre de laquelle
l'élément de fixation risque d'entrer en
contact avec un fil caché.** L'entrée en contact
d'un élément de fixation avec un fil sous tension
pourrait rendre conductrices des parties en
métal exposées de l'outil électrique et causer un
choc électrique à l'opérateur.

⚠ AVERTISSEMENT

Perçer, scier, poncer ou usiner à la machine
des produits en bois peut vous exposer à de
la poussière de bois, une substance connue
comme étant carcinogène par l'État de
Californie. Évitez d'inhaler de la poussière de
bois ou utilisez un masque antipoussières ou
d'autres équipements de protection individuelle.
Pour plus d'informations, rendez-vous sur le site
www.P65Warnings.ca.gov/wood.









⚠ AVERTISSEMENT







- Des travaux de ponçage, de sciage, de
meulage et de perçage réalisés avec un outil
électrique et d'autres travaux de construction
peuvent produire des poussières qui, selon
l'État de Californie, contiennent des produits
chimiques qui sont des causes reconnues
de cancer, de malformation congénitale ou
d'autres problèmes reproductifs. Ces produits
chimiques sont, par exemple :
 - du plomb provenant de peinture au plomb,
 - des cristaux de silices provenant des
briques et du ciment, et d'autres produits de
maçonnerie, et

- de l'arsenic et du chrome provenant de bois de
construction traité par des produits chimiques.
- Le niveau de risque causé par de telles
expositions varie en fonction de la fréquence
de ces types de travaux. Pour réduire votre
exposition à ces produits chimiques :
 - Travaillez toujours dans un endroit bien ventilé.
 - Portez un équipement de sécurité approprié
tel que certains masques conçus spécialement
pour filtrer les particules microscopiques.
 - Évitez tout contact prolongé avec la poussière
produite par le ponçage, le sciage, le meulage,
le perçage et d'autres activités de construction
avec des outils électriques. Portez des
vêtements de protection et lavez les surfaces
de la peau ayant été exposées avec de l'eau
et du savon. Si vous laissez de la poussière
pénétrer dans votre bouche ou dans vos yeux,
ou rester sur votre peau, cela risquerait de
promouvoir l'absorption de produits chimiques
toxiques.







SYMBOLES

IMPORTANT : Les symboles suivants peuvent figurer sur votre outil. Familiarisez-vous avec eux et apprenez leur signification. En comprenant ces symboles, vous serez en mesure de faire fonctionner cet outil de façon adéquate et sécuritaire.

Symbole	Nom	Forme au long et explication
V	Volts	Tension
A	Ampères	Courant
Hz	Hertz	Fréquence (cycles par seconde)
W	Watt	Puissance
kg	Kilogrammes	Poids
min	Minutes	Durée
s	Secondes	Durée
Wh	Watheures	Capacité de la pile
Ah	Ampères-heures	Capacité de la pile
∅	Diamètre	Taille des forets, des meules, etc.
n_0	Vitesse à vide	Vitesse de rotation à vide
n	Vitesse nominale	Vitesse maximale atteignable
.../min	Nombre de tours ou mouvements de va-et-vient par minute (tr/min)	Tours, coups, vitesse périphérique, orbites, etc., par minute
O	Position d'arrêt	Vitesse nulle, couple nul...
1,2,3,... I,II,III,	Réglages du sélecteur	Réglages de la vitesse, du couple ou de la position. Plus le nombre est élevé, plus la vitesse est grande.
	Sélecteur à réglage continu avec mode d'arrêt	La vitesse augmente à partir du réglage 0
	Flèche	L'activation se fait dans le sens de la flèche
	Courant alternatif (c.a.)	Type de courant ou caractéristique de courant
	Courant continu (c.c.)	Type de courant ou caractéristique de courant
	Courant alternatif ou continu (c.a./c.c.)	Type de courant ou caractéristique de courant
	Outil de classe II	Désigne les outils de construction à double isolation
	Mise à la terre de protection	Borne de mise à la terre
	Label du programme de recyclage des piles au lithium-ion de la RBRC	Désigne le programme de recyclage des piles au lithium-ion

Symbole	Nom	Forme au long et explication
	Lisez les instructions	Invite l'utilisateur à lire le manuel
	Symbole du port de lunettes de sécurité	Alerte l'utilisateur pour lui demander de porter une protection des yeux.
	Utilisez toujours les deux mains	Alerte l'utilisateur pour lui demander de toujours tenir l'outil avec les deux mains
	N'utilisez pas le dispositif de protection pour les opérations de tronçonnage	Alerte l'utilisateur pour lui demander de ne pas utiliser le dispositif de protection pour les opérations de tronçonnage
	Zone où il ne faut pas mettre les mains	La zone comprise entre les traits marqués des côtés gauche et droit de la base. Cette zone est identifiée par les symboles de la Zone où il ne faut pas mettre la main à l'intérieur des traits marqués sur la base.
	Symbole d'avertissement	Ne regardez pas directement une lampe allumée

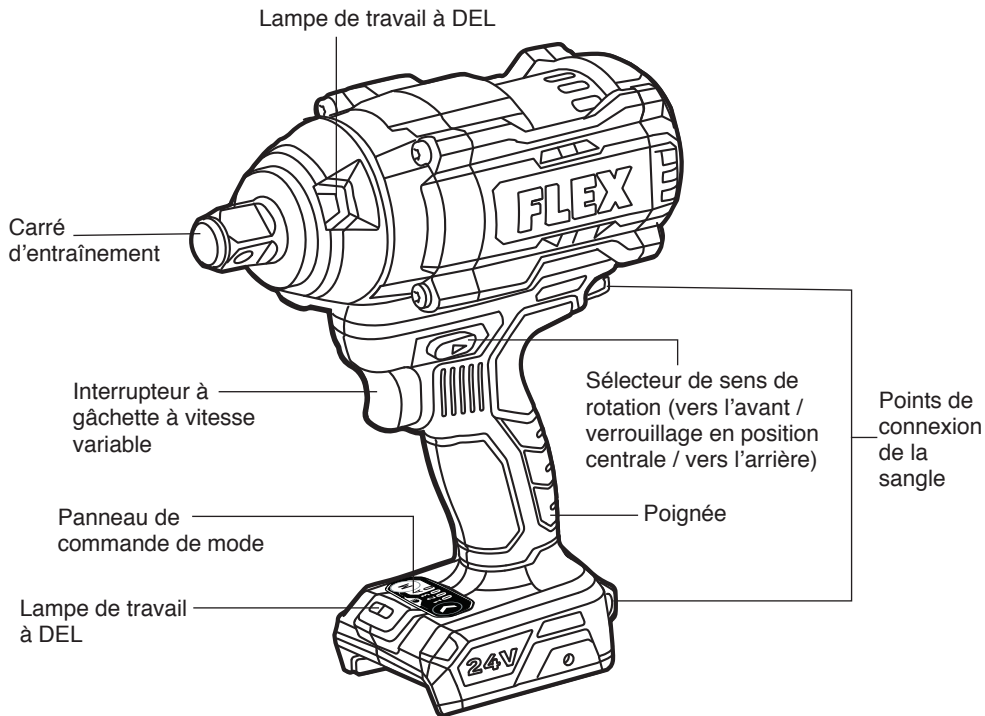
SYMBOLES (RENSEIGNEMENTS EN MATIÈRE D'HOMOLOGATION)

Symbole	Forme au long et explication
	Ce symbole indique que cet outil est répertorié par Underwriters Laboratories.
	Ce symbole indique que cet outil est reconnu par Underwriters Laboratories.
	Ce symbole indique que cet outil est répertorié par Underwriters Laboratories et qu'il est conforme aux normes américaines et canadiennes.
	Ce symbole indique que cet outil est répertorié par l'Association canadienne de normalisation.
	Ce symbole indique que cet outil est répertorié par l'Association canadienne de normalisation et qu'il est conforme aux normes américaines et canadiennes.
	Ce symbole indique que cet outil est répertorié par Intertek Testing et qu'il est conforme aux normes américaines et canadiennes.

DESCRIPTIONS ET SPÉCIFICATIONS FONCTIONNELLES

CLÉ À CHOCS À COUPLE ÉLEVÉ

Fig. 1



Modèle N°	FX1472	FX1472B
Tension nominale	24 V c.c.	
Carré d'entraînement	12,7 mm / 1/2 po	19,1 mm / 3/4 po
Vitesse à vide	0-500/1 000/1 900 RPM	
Impacts par minute	0-2 350 IPM	
Couple maximum	1 100 pi lb	1 200 pi lb
Température de fonctionnement recommandée	-20-40 °C / -4-104 °F	
Température de stockage recommandée	< 50 °C / < 122 °F	

ASSEMBLAGE

⚠ AVERTISSEMENT Détachez le bloc-piles de l'outil avant de procéder à son assemblage, à des réglages ou à des changements d'accessoires. De telles mesures de sécurité préventives réduisent le risque de démarrage accidentel de l'outil.

POUR ATTACHER / DÉTACHER LE BLOC-PILES (FIG. 2)

Verrouillez l'interrupteur à gâchette à vitesse variable de l'outil en position d'arrêt (OFF) en plaçant le sélecteur de sens de rotation (marche avant / verrouillage en position centrale / marche arrière) dans la position centrale avant d'attacher ou de détacher le bloc-piles.

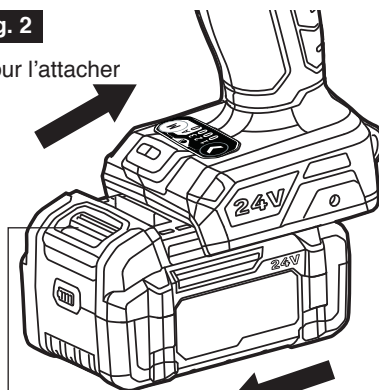
Pour attacher le bloc-piles :

Alignez la nervure en relief du bloc-piles sur les rainures de l'outil, puis faites glisser le bloc-piles sur l'outil.

AVIS Lorsque vous placez le bloc-piles sur l'outil, assurez-vous que la nervure en relief sur le bloc-piles s'aligne sur la rainure à l'intérieur de l'outil et que les loquets de verrouillage se ferment correctement. Une fixation incorrecte du bloc-piles peut endommager des composants internes.

Fig. 2

Pour l'attacher



Bouton d'éjection du bloc-piles

Pour le détacher

Pour détacher le bloc-piles :

Appuyez sur le bouton d'éjection du bloc-piles, qui est situé à l'avant du bloc-piles, pour éjecter le bloc-piles. Tirez sur le bloc-piles pour le faire sortir et retirez-le de l'outil.

⚠ AVERTISSEMENT Ne tentez pas de modifier cet outil ou de créer des accessoires qu'il n'est pas recommandé d'utiliser avec cet outil. Une telle altération ou modification constituerait une utilisation abusive et pourrait créer une situation dangereuse avec risque de blessures graves.

INSTALLATION ET RETRAIT DE LA DOUILLE POUR CLÉ À CHOCS (FIG. 3a-3b)

⚠ MISE EN GARDE Assurez-vous que la douille pour clé à chocs et la partie de montage ne sont pas endommagées avant d'installer la douille pour clé à chocs.

Pour installer la douille pour clé à chocs :

- Alignez le carré de la douille pour clé à chocs sur le carré d'entraînement et poussez la douille pour clé à chocs aussi loin que possible sur le carré d'entraînement jusqu'à ce qu'elle se verrouille.
- Tapotez légèrement dessus si nécessaire.

Pour retirer la douille pour clé à chocs :

Il suffit de tirer dessus pour l'enlever.

REMARQUE : Le carré d'entraînement du modèle FX1472B comporte un trou traversant (Fig. 3b). Le trou traversant permet un maintien plus sûr de la douille par le biais d'une douille compatible, ainsi qu'en utilisant une broche et un anneau accessoires, ou avec un dispositif de retenue en une seule pièce.

⚠ AVERTISSEMENT N'utilisez pas de douilles usées ou endommagées.

⚠ AVERTISSEMENT Portez des gants de protection lorsque vous retirez la douille pour clé à chocs de l'outil, ou attendez que la douille pour clé à chocs ait refroidi suffisamment. La douille pour clé à chocs peut être très chaude après une utilisation prolongée.

Fig. 3a

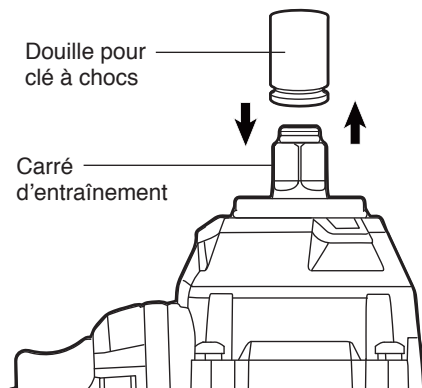
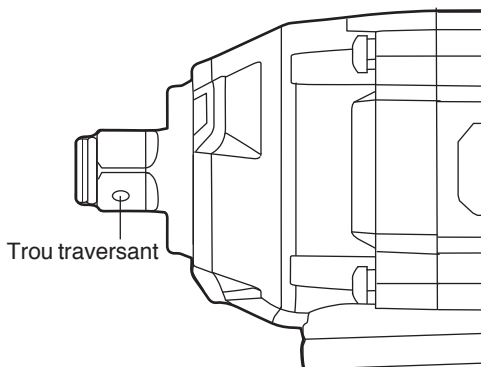


Fig. 3b

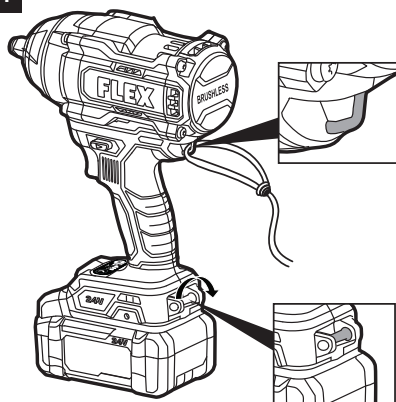


POINTS DE CONNEXION DE LA SANGLE (FIG. 4)

Cet outil est doté de deux points de connexion pour la lanière. Une lanière (vendue séparément) réduit le risque de chute de l'outil.

⚠ AVERTISSEMENT L'outil est lourd! Pour réduire le risque de blessure, n'utilisez pas de sangle de poignet.

Fig. 4



RÉGLAGES

SÉLECTEUR DE SENS DE ROTATION (VERS L'AVANT / VERROUILLAGE EN POSITION CENTRALE / MARCHE ARRIÈRE)

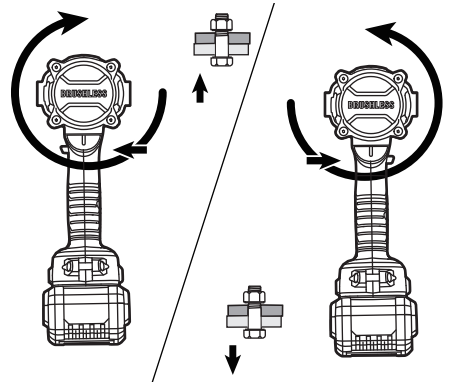
⚠ AVERTISSEMENT Après avoir fini d'utiliser l'outil, verrouillez le sélecteur de sens de rotation dans la position centrale (OFF) pour prévenir tout risque de mise en marche accidentelle et de blessure possible.

Votre outil est pourvu d'un sélecteur de sens de rotation, qui est situé au-dessus de l'interrupteur à gâchette de réglage de la vitesse. Ce sélecteur est utilisé pour changer le sens de rotation du carré d'entraînement et pour verrouiller la gâchette de réglage de la vitesse dans la position centrale (OFF).

- Positionnez le sélecteur de sens de rotation à l'extrême-gauche de l'outil pour serrer des boulons ou des écrous (Fig. 5).
- Positionnez le sélecteur de sens de rotation à l'extrême-droite de l'outil pour desserrer des boulons ou des écrous (Fig. 5).
- Positionnez l'interrupteur dans la position « OFF » (verrouillage en position centrale) pour aider à réduire le risque de démarrage accidentel quand l'outil n'est pas utilisé.

AVIS Pour prévenir tout risque d'endommagement de l'embrayage, attendez toujours que la clé à chocs s'arrête complètement avant de changer le sens de rotation.

Fig. 5



REMARQUE : La clé à chocs ne fonctionnera que si le sélecteur de sens de rotation est engagé à fond vers la gauche ou vers la droite.

⚠ AVERTISSEMENT Les outils alimentés par des piles sont toujours prêts à fonctionner. Par conséquent, le sélecteur de sens de rotation (marche avant / verrouillage en position centrale / marche arrière) doit toujours être verrouillé dans la position centrale lorsque l'outil n'est pas utilisé ou lorsque vous le transportez à votre côté.

LAMPE DE TRAVAIL À DEL (FIG. 6a–6b)

Votre outil est équipé de quatre lampes de travail à DEL dont la luminosité est réglable (Fig. 6a et 6b). Ces lampes fournissent un éclairage supplémentaire sur la surface de l'ouvrage. Les quatre lampes de travail à DEL s'allument et s'éteignent en même temps dès que l'on appuie sur l'interrupteur à gâchette.

Pour régler la luminosité des lampes de travail :

REMARQUE : Le réglage de la luminosité s'applique aux quatre lampes de travail. Il n'est pas possible de régler la luminosité de chaque lumière individuellement.

1. Appuyez simultanément sur le bouton de commande de l'entraînement (« drive-control ») et le bouton « M » pendant 2 secondes jusqu'à ce que les quatre voyants lumineux commencent à clignoter en même temps pendant 0,5 seconde, indiquant que l'outil est entré dans le mode de réglage de la luminosité des lampes de travail.
2. Pendant que l'outil est dans le mode de réglage de la luminosité des lampes de travail, chaque fois que vous appuyez sur l'interrupteur à gâchette, la luminosité des deux lampes de travail à DEL passe au niveau suivant et alterne entre les six niveaux de luminosité suivants.

1	2	3	4	5	6
Lumière éteinte	Le plus bas → Le plus haut				

3. Appuyez sur le bouton de commande de l'entraînement (« drive-control ») ou sur le bouton « M » pour quitter le mode de réglage de la luminosité des lampes de travail. Si aucune opération n'est effectuée pendant 5 secondes, l'outil quitte automatiquement le mode de réglage de la luminosité.

REMARQUE : Pendant que l'outil est dans le mode de réglage de la luminosité des lampes de travail, l'interrupteur à gâchette ne fonctionne que comme un « bouton » de réglage de la luminosité.

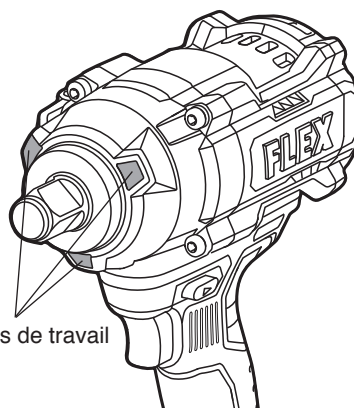
Fig. 6a

Lampe de travail à DEL



Fig. 6b

Lampes de travail à DEL



Lors de la prochaine mise sous tension de l'outil, la fonction de mémoire se souviendra du dernier niveau de luminosité de l'éclairage de travail et le rétablira.

Les quatre lampes de travail s'éteindront automatiquement environ 10 secondes après le relâchement de l'interrupteur à gâchette.

SÉLECTION DU MODE (FIG. 7)

Votre outil est pourvu d'un panneau de commande de mode situé sur le pied de l'outil. Il est composé du bouton de commande de l'entraînement, du bouton « M » et des voyants lumineux pour les modes de travail.

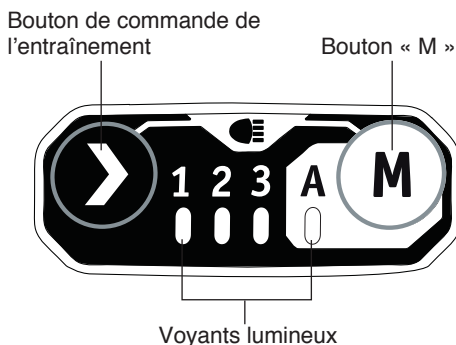
Le bouton de commande de l'entraînement est utilisé pour faire une sélection entre trois modes pré-réglés du couple, de la vitesse de rotation (RPM) et de la fréquence d'impact (IPM) en fonction de l'application. Les modes 1, 2 et 3 sont les seuls modes où la vitesse est contrôlée par l'interrupteur à gâchette à vitesse variable.

« A » est un mode spécial, qui est conçu pour être utilisé à la fois en rotation avant pour le serrage des boulons ou des écrous et en rotation arrière pour le desserrage des boulons ou des écrous.

En position de rotation avant, la clé à chocs s'arrête de fonctionner lorsque le boulon ou l'écrou est pré-serré, et la clé dynamométrique peut alors être utilisée pour terminer le travail. Cette fonction offre une grande efficacité de travail, et le boulon ou l'écrou ne sera pas trop serré.

En position de rotation dans le sens inverse, lorsque le boulon ou l'écrou se desserre, la clé

Fig. 7







à chocs s'arrête de fonctionner pour empêcher le boulon ou l'écrou de tomber.

Utilisation du bouton « M » :





Appuyez sur le bouton « M » directement sans toucher l'interrupteur à gâchette. Le voyant lumineux correspondant s'allumera pour indiquer le mode actif.



Voir plus de détails dans le tableau ci-dessous :

Rotation vers l'avant :

Voyant lumineux sur le panneau de commande	Mode de travail	IPM maximum (Impacts par minute)	Application
	1	1000	Serrage précis de petits boulons et écrous.
	2	2000	Couple de serrage modéré.
	3	2350	Couple de serrage maximum.
	A	/	Serrage avec arrêt automatique.

Rotation en sens inverse :

Voyant lumineux sur le panneau de commande	Mode de travail	IPM maximum (Impacts par minute)	Application
	1	1000	Desserrage précis de petits boulons et écrous.
	2	2000	Couple de desserrage modéré.
	3	2350	Couple de desserrage maximum.
	A	/	Desserrage avec arrêt automatique.

 MARCHE ;  ARRÊT

⚠ AVERTISSEMENT Ne changez pas le mode de travail pendant que l'outil est en train de fonctionner. Un changement soudain du couple peut entraîner la perte de contrôle et provoquer des blessures ou des dommages à l'outil ou à l'ouvrage.

REMARQUE : Le voyant à DEL s'éteindra environ 1 minute après le relâchement de l'interrupteur à gâchette.

REMARQUE : La fois que l'outil sera remis en marche après une pause, le mode de travail retournera à celui du réglage qui avait été sélectionné en dernier.

INSTRUCTIONS POUR L'UTILISATION

⚠ AVERTISSEMENT Pour réduire les risques d'incendie, de blessures et de dommages au produit dus à un court-circuit, ne plongez jamais votre outil, le bloc-piles ou le chargeur dans un liquide, et ne laissez pas de liquide s'écouler à l'intérieur de ceux-ci. Des liquides corrosifs ou conducteurs tels que l'eau de mer, certains produits chimiques industriels, l'eau de Javel ou des produits contenant de l'eau de Javel, etc. peuvent causer un court-circuit.

⚠ AVERTISSEMENT Si certaines pièces sont endommagées ou manquantes, n'utilisez pas ce produit avant que ces pièces aient été remplacées. L'utilisation de ce produit avec des pièces endommagées ou manquantes pourrait causer des blessures graves.

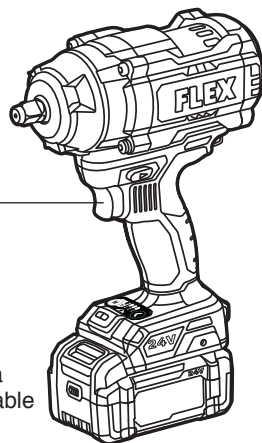
⚠ AVERTISSEMENT Pour empêcher tout démarrage accidentel qui pourrait causer une blessure grave, retirez toujours le bloc-piles de l'outil lorsque vous effectuez le montage de pièces.

INTERRUPTEUR À GÂCHETTE DE RÉGLAGE DE LA VITESSE (FIG. 8)

Votre outil est muni d'un interrupteur à gâchette à vitesse variable. L'outil peut être mis en marche ou arrêté en appuyant sur l'interrupteur à gâchette à vitesse variable ou en relâchant cet interrupteur.

L'interrupteur à gâchette à vitesse variable produit une vitesse supérieure avec une pression accrue sur la gâchette et une vitesse inférieure avec une pression réduite sur la gâchette.

Fig. 8



Interrupteur à gâchette à vitesse variable

Cette clé à chocs ne doit être utilisée qu'avec les blocs-piles et les chargeurs indiqués ci-dessous :

Bloc-piles								Chargeur			
2.0Ah	2.5Ah	3.5Ah	5.0Ah	6Ah	8.0Ah	10Ah	12Ah				
FX0311	FX0111	FX0321	FX0121	FX0331	FX0221	FX0341	FX0231	FLEX FX0411	FLEX FX0421	FLEX FX0431	FLEX FX0451

REMARQUE : Veuillez vous référer aux modes d'emploi du bloc-piles et du chargeur pour plus d'informations sur le fonctionnement.

SERRAGE ET DESSERRAGE DES VIS, ÉCROUS ET BOULONS (FIG. 9)

Pour serrer des écrous et des boulons

Sélectionnez la douille hexagonale qui correspond à l'écrou ou au boulon.

Choisissez un mode de travail approprié ou le mode « A » en fonction du type ou de la taille du boulon et de l'écrou. Avant de commencer à travailler, effectuez toujours un test pour déterminer le temps de serrage approprié pour votre boulon ou écrou.

- Paramétrez le sélecteur de sens de rotation vers l'avant.
- Tenez fermement l'outil et placez la douille au-dessus du boulon ou de l'écrou. Assurez-vous que toute la longueur de la tête du boulon ou de l'écrou est entièrement engagée dans la douille.
- Appuyez sur l'interrupteur à gâchette à vitesse variable pour activer la clé à chocs. Commencez lentement, et augmentez la vitesse dès que l'écrou ou le boulon commence à s'enfoncer. Positionnez l'écrou ou le boulon pour qu'ils soient bien en place en ralentissant l'outil progressivement jusqu'à l'arrêt complet.

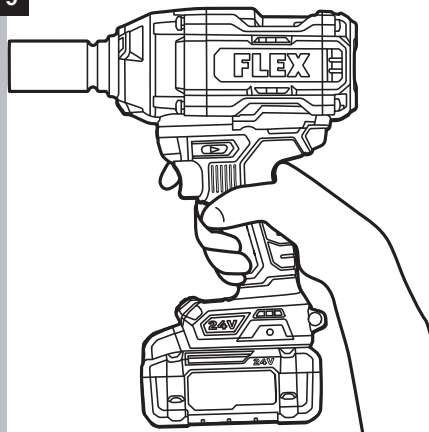
⚠ AVERTISSEMENT Si cette procédure n'est pas suivie, l'outil aura tendance à produire un couple élevé ou à se tordre entre vos mains.

- Serrez le boulon ou l'écrou au couple approprié.
- Après avoir serré, vérifiez toujours le couple au moyen d'une clé dynamométrique. Si les fixations sont trop serrées, réduisez le temps d'impact. Si elles ne sont pas assez serrées, augmentez le temps d'impact.

REMARQUE : Tenez l'outil droit le long de l'axe du boulon ou de l'écrou.

AVIS Un couple de serrage excessif peut endommager le boulon/l'écrou ou la douille.

Fig. 9



Pour desserrer des écrous et des boulons

Utilisez l'un quelconque des modes 1, 2, 3 ou « A » pour desserrer les écrous et les boulons selon l'application.

Lors de travaux en hauteur ou sur des pneus de véhicule automobile, pour éviter que les éléments de fixation desserrés ne tombent sur le sol ou dans un espace difficile à atteindre, il est recommandé d'utiliser le mode « A » pour effectuer ce travail.

- Paramétrez le sélecteur de sens de rotation sur le réglage de rotation en sens inverse.
- Tenez fermement l'outil et placez la douille au-dessus du boulon ou de l'écrou. Assurez-vous que toute la longueur de la tête du boulon ou de l'écrou est entièrement engagée dans la douille.
- Appuyez sur l'interrupteur à gâchette à vitesse variable pour activer la clé à chocs. Une fois que l'élément de fixation est complètement desserré, l'outil s'arrête de fonctionner. Cet outil vous permet également de continuer à appuyer sur l'interrupteur à gâchette pour retirer l'écrou du boulon long, si nécessaire.

MAINTENANCE

SERVICE APRÈS-VENTE

⚠ AVERTISSEMENT Une maintenance préventive effectuée par une personne non autorisée pourrait entraîner un placement incorrect de fils et composants internes, ce qui pourrait être très dangereux. Nous recommandons que toutes les opérations de maintenance de cet outil soient effectuées par un centre de service après-vente usine FLEX ou par un poste de service agréé par FLEX.

MAINTENANCE GÉNÉRALE

⚠ AVERTISSEMENT Lors de toute réparation, n'utilisez que des pièces de rechange identiques. L'utilisation de toutes autres pièces de rechange pourrait créer un danger ou endommager le produit. Inspectez périodiquement l'intégralité du produit pour vous assurer qu'il n'y a pas de pièces endommagées, manquantes ou desserrées comme des vis, des écrous, des boulons, des capuchons, etc. Serrez à fond tous les dispositifs de fixation et capuchons, et ne vous servez pas de ce produit avant que toutes les pièces manquantes ou endommagées aient été remplacées. Veuillez contacter le service à la clientèle ou un centre de service après-vente agréé pour obtenir de l'assistance.

⚠ AVERTISSEMENT Pour éviter des blessures graves, retirez toujours le bloc-piles de l'outil lorsque vous le nettoyez ou quand vous effectuez des travaux de maintenance.

NETTOYAGE

⚠ AVERTISSEMENT La façon la plus efficace de nettoyer l'outil est en utilisant un jet d'air comprimé sec. Portez toujours des lunettes de sécurité lorsque vous nettoyez des outils avec de l'air comprimé. Les ouvertures de ventilation et les leviers des interrupteurs doivent être gardés propres, sans accumulation de saletés. Ne tentez pas de les nettoyer en insérant des objets pointus à travers les ouvertures.

⚠ AVERTISSEMENT Certains agents de nettoyage et solvants peuvent endommager les pièces en plastique. Citons notamment : l'essence, le tétrachlorure de carbone, les solvants de nettoyage chlorés, l'ammoniac et les détergents ménagers contenant de l'ammoniac.

STOCKAGE

Rangez l'outil à l'intérieur, à un endroit qui est hors de portée des enfants. Conservez-le à distance des agents corrosifs.

GARANTIE LIMITÉE FLEX DE 5 ANS

Chervon North America, Inc. (« Vendeur ») garantit uniquement à l'acheteur d'origine que tous les produits FLEX de 24 V seront exempts de tout défaut de matériel ou de fabrication pendant une période de cinq ans à compter de la date d'achat lorsque l'acheteur d'origine enregistre le produit dans les 30 jours suivant la date d'achat au détail et conserve son reçu comme preuve de l'achat. LA PÉRIODE DE GARANTIE LIMITÉE DE CINQ ANS EST CONDITIONNÉE PAR L'ENREGISTREMENT DU PRODUIT DANS LES 30 JOURS SUIVANT L'ACHAT ET NE S'APPLIQUE QU'AUX OUTILS, PILES ET CHARGEURS FLEX DE 24 V. Si l'acheteur d'origine n'enregistre pas son produit dans les 30 jours, la garantie limitée susmentionnée s'applique pour une durée de trois ans. L'enregistrement du produit peut être effectué en ligne à l'adresse suivante : www.registermyflex.com.

Outils de 24 V : Garantie limitée de cinq ans avec l'enregistrement

Piles et chargeurs de 24 V : Garantie limitée de cinq ans avec l'enregistrement

Produits filaires FLEX de la génération précédente de 12 V et de 20 V : Garantie limitée d'un an; pas de bénéfices résultant de l'enregistrement

Système de stockage FLEX STACK PACK™ : Garantie limitée d'un an après l'enregistrement

Attachements fonctionnels FT161 et FT421 : Garantie limitée de 5 ans avec l'enregistrement / Garantie limitée de 3 ans sans l'enregistrement

Autres Accessoires et attachements : Pas de garantie

LA SEULE OBLIGATION DU VENDEUR ET VOTRE SEUL RECOURS dans le cadre de cette garantie limitée et, dans la mesure permise par la loi, toute garantie ou condition impliquée par la loi, sera la réparation ou le remplacement des pièces, sans frais, qui sont défectueuses en termes de matériel ou de fabrication et qui n'ont pas été utilisées de façon inappropriée, manipulées avec négligence ou réparées par des personnes autres qu'un concessionnaire réparateur autorisé de FLEX. Cette garantie ne couvre pas les défaillances des pièces dues à une usure normale. Pour faire une réclamation au titre de la garantie, renvoyez le produit complet, transport payé, à un concessionnaire réparateur autorisé de FLEX. Pour identifier des concessionnaires réparateurs autorisés de FLEX, veuillez vous rendre sur le site www.registermyflex.com ou téléphonez au 1-833-FLEX-496 (1-833-353-9496).

La garantie limitée de cinq ans ne s'applique pas aux accessoires, attachements ou pièces.

La garantie limitée d'un an pour le système de stockage FLEX STACK PACK™ ne couvre que les boîtes à outils et ne s'applique pas aux attachements du système et aux accessoires de l'outil électrique.

Toute garantie implicite applicable à un produit est limitée dans le temps à une durée égale à la durée des garanties expresses applicables à ce produit, comme indiqué au premier paragraphe ci-dessus. Étant donné que certains États des États-Unis et certaines provinces canadiennes n'autorisent pas la limitation de la durée d'une garantie implicite, la limitation ci-dessus peut ne pas s'appliquer.

FLEX n'est pas responsable des dommages directs, indirects, accidentels ou consécutifs. Étant donné que certains États des États-Unis et certaines provinces canadiennes n'autorisent pas la limitation de la durée d'une garantie implicite et/ou l'exclusion ou la limitation des dommages accessoires ou indirects, les limitations ou exclusions ci-dessus peuvent ne pas s'appliquer. Cette garantie limitée vous donne des droits légaux spécifiques, et vous pouvez également avoir d'autres droits qui varient selon les États des États-Unis et les provinces du Canada.

Cette garantie limitée s'applique uniquement aux produits vendus aux États-Unis d'Amérique, au Canada et dans le Commonwealth de Porto Rico. Pour connaître la couverture de la garantie dans les autres pays, contactez votre revendeur FLEX local.

© Chervon North America, 1203 E. Warrentville Rd., Naperville, IL 60563

fr.flexpowertools.com
www.registermyflex.com

1-833-FLEX-496 (1-833-353-9496)

SÍMBOLOS DE SEGURIDAD

La finalidad de los símbolos de seguridad es atraer la atención del usuario hacia posibles peligros. Los símbolos de seguridad y las explicaciones que los acompañan merecen que usted preste una atención detenida y logre una comprensión profunda. Las advertencias con símbolo no eliminan por sí mismas ningún peligro. Las instrucciones y las advertencias que dichas instrucciones dan no son sustitutos de las medidas adecuadas de prevención de accidentes.

⚠ ADVERTENCIA Asegúrese de leer y entender todas las instrucciones de seguridad incluidas en este manual del operador, incluyendo todos los símbolos de alerta de seguridad, tales como “**PELIGRO**”, “**ADVERTENCIA**” y “**PRECAUCIÓN**”, antes de utilizar esta herramienta. Si no se siguen todas las instrucciones que se indican a continuación, es posible que el resultado sea descargas eléctricas, incendio y/o lesiones corporales graves.

Las definiciones que aparecen a continuación describen el nivel de gravedad de cada palabra de aviso. Por favor, lea el manual y preste atención a estos símbolos.



Este es el símbolo de alerta de seguridad. Se utiliza para alertarle a usted de posibles peligros de lesiones corporales. Obedezca todos los mensajes de seguridad que sigan a este símbolo para evitar posibles lesiones o muerte.



PELIGRO: PELIGRO indica una situación peligrosa que, si no se evita, causará la muerte o lesiones graves.



ADVERTENCIA: ADVERTENCIA indica una situación peligrosa que, si no se evita, podría causar la muerte o lesiones graves.



PRECAUCIÓN: PRECAUCIÓN, cuando se utiliza con el símbolo de alerta de seguridad, indica una situación peligrosa que, si no se evita, causará lesiones leves o moderadas.

Mensajes de prevención e información de daños

Estos mensajes ofrecen al usuario información e/o instrucciones importantes que hay que seguir para no causar daños al equipo u otros daños materiales. Cada mensaje va precedido por la palabra “**AVISO**”, como en el ejemplo que aparece a continuación:

AVISO Es posible que ocurran daños al equipo y/o daños materiales si no se siguen estas instrucciones.



La utilización de cualquier herramienta eléctrica puede hacer que se lancen objetos extraños hacia los ojos del operador, lo cual puede causar daños oculares graves. Antes de comenzar a utilizar una herramienta eléctrica, póngase siempre anteojos de seguridad o gafas de seguridad con escudos laterales y una careta completa cuando sea necesario. Recomendamos una máscara de seguridad de visión amplia para utilizarla sobre gafas o anteojos de seguridad estándar con escudos laterales. Utilice siempre protección ocular que esté marcada para cumplir con la norma ANSI Z87.1.

ADVERTENCIAS GENERALES DE SEGURIDAD PARA LA HERRAMIENTA ELÉCTRICA

⚠ ADVERTENCIA Lea todas las advertencias de seguridad, instrucciones, ilustraciones y especificaciones suministradas con esta herramienta eléctrica. Si no se siguen todas las instrucciones que se indican a continuación, es posible que el resultado sea descargas eléctricas, incendio y/o lesiones graves.

GUARDE TODAS LAS ADVERTENCIAS E INSTRUCCIONES PARA REFERENCIA FUTURA.

La expresión “herramienta eléctrica” que se incluye en las advertencias se refiere a su herramienta eléctrica alimentada por la red eléctrica (alámbrica) o su herramienta eléctrica alimentada por baterías (inalámbrica).

Seguridad en el área de trabajo

Mantenga el área de trabajo limpia y bien iluminada. Las áreas desordenadas u oscuras invitan a que se produzcan accidentes.

No utilice herramientas eléctricas en atmósferas explosivas, tales como las existentes en presencia de líquidos, gases o polvos inflamables. Las herramientas eléctricas generan chispas, las cuales pueden incendiar los polvos o los vapores.

Mantenga alejados a los niños y a los curiosos mientras esté utilizando una herramienta eléctrica. Las distracciones pueden hacerle perder el control de la herramienta.

Seguridad eléctrica

Los enchufes de las herramientas eléctricas deben coincidir con el tomacorriente. No modifique nunca el enchufe de ninguna manera. No utilice enchufes adaptadores con herramientas eléctricas conectadas a tierra (puestas a masa). Los enchufes sin modificar y los tomacorrientes coincidentes reducirán el riesgo de descargas eléctricas.

Evite el contacto del cuerpo con las superficies conectadas a tierra o puestas a masa, tales como tuberías, radiadores, estufas de cocina y refrigeradores. Hay mayor riesgo de que se produzcan descargas eléctricas si su cuerpo está conectado a tierra.

No exponga las herramientas eléctricas a la lluvia ni a condiciones mojadas. La entrada de agua en una herramienta eléctrica aumentará el riesgo de descargas eléctricas.

No maltrate el cable. No use nunca el cable para transportar, jalar o desenchufar la herramienta eléctrica. Mantenga el cable

alejado del calor, el aceite, los bordes afilados o las piezas móviles. Los cables dañados o enredados aumentan el riesgo de que se produzcan descargas eléctricas.

Cuando utilice una herramienta eléctrica a la intemperie, use un cable de extensión adecuado para uso a la intemperie. La utilización de un cable adecuado para uso a la intemperie reduce el riesgo de descargas eléctricas.

Si es inevitable utilizar una herramienta eléctrica en un lugar húmedo, utilice una fuente de alimentación protegida por un interruptor de circuito accionado por corriente de pérdida a tierra (GFCI, por sus siglas en inglés). El uso de un GFCI reduce el riesgo de descargas eléctricas.

Seguridad personal

Manténgase alerta, fíjese en lo que está haciendo y use el sentido común cuando utilice una herramienta eléctrica. No utilice una herramienta eléctrica mientras esté cansado o bajo la influencia de drogas, alcohol o medicamentos. Es posible que un momento de descuido mientras se estén utilizando herramientas eléctricas cause lesiones corporales graves.

Utilice equipo de protección personal. Use siempre protección ocular. Los equipos protectores, tales como una máscara antipolvo, calzado de seguridad antideslizante, casco o protección de la audición, utilizados según lo requieran las condiciones, reducirán las lesiones corporales.

Evite los arranques accidentales. Asegúrese de que el interruptor esté en la posición de apagado antes de conectar la herramienta a una fuente de alimentación y/o a un paquete de batería, levantar la herramienta o transportarla. Si se transportan herramientas eléctricas con el dedo en el interruptor o si se suministra corriente a herramientas que tengan el interruptor en la posición de encendido se invita a que se produzcan accidentes.

Retire todas las llaves de ajuste o de tuerca antes de encender la herramienta eléctrica.

Es posible que una llave de tuerca o de ajuste que esté sujeta a una pieza rotativa de la herramienta cause lesiones corporales.

No intente alcanzar demasiado lejos.

Mantenga un apoyo de los pies y un equilibrio adecuados en todo momento. Esto permitirá un mejor control de la herramienta eléctrica en situaciones inesperadas.

Vístase adecuadamente. No se ponga ropa holgada ni joyas. Mantenga el pelo y la ropa alejados de las piezas móviles. La ropa holgada, las joyas o el pelo largo pueden quedar atrapados en las piezas móviles.

Si se proporcionan dispositivos para la conexión de instalaciones de extracción y recolección de polvo, asegúrese de que dichas instalaciones se conecten y utilicen correctamente. El uso de recolección de polvo puede reducir los peligros relacionados con el polvo.

No deje que la familiaridad obtenida con el uso frecuente de las herramientas le haga volverse complaciente e ignorar los principios de seguridad de las herramientas. Una acción descuidada puede causar lesiones graves en una fracción de segundo.

Uso y cuidado de la herramienta eléctrica

No fuerce la herramienta eléctrica. Utilice la herramienta eléctrica correcta para la aplicación que vaya a realizar. La herramienta correcta hará el trabajo mejor y con más seguridad a la capacidad nominal para la que fue diseñada.

No utilice la herramienta eléctrica si el interruptor no la enciende o apaga. Cualquier herramienta eléctrica que no se pueda controlar con el interruptor es peligrosa y debe ser reparada.

Desconecte el enchufe de la fuente de alimentación y/o retire el paquete de batería de la herramienta eléctrica, si es retirable, antes de hacer cualquier ajuste, cambiar accesorios o almacenar herramientas eléctricas. Dichas medidas preventivas de seguridad reducen el riesgo de arrancar accidentalmente la herramienta eléctrica.

Guarde las herramientas eléctricas que no esté usando fuera del alcance de los niños y no deje que las personas que no estén familiarizadas con la herramienta eléctrica o estas instrucciones utilicen la herramienta eléctrica. Las herramientas eléctricas son peligrosas en las manos de los usuarios no capacitados.

Realice mantenimiento de las herramientas eléctricas y los accesorios. Compruebe si hay desalineación o atoramiento de las piezas móviles, rotura de piezas y cualquier otra situación que pueda afectar al funcionamiento de la herramienta eléctrica. Si la herramienta está dañada, haga que la reparen antes de utilizarla. Muchos accidentes son causados por herramientas eléctricas mantenidas deficientemente.

Mantenga las herramientas de corte afiladas y limpias. Las herramientas de corte mantenidas adecuadamente, con bordes de corte afilados, tienen menos probabilidades de atorarse y son más fáciles de controlar.

Utilice la herramienta eléctrica, los accesorios y las brocas de la herramienta, etc., de acuerdo con estas instrucciones, teniendo en cuenta las condiciones de trabajo y el trabajo que se vaya a realizar. El uso de la herramienta eléctrica para operaciones distintas a las previstas podría causar situaciones inesperadas.

Mantenga los mangos y las superficies de agarre secos, limpios y libres de aceite y grasa. Los mangos resbalosos y las superficies de agarre resbalosas no permiten un manejo y un control seguros de la herramienta situaciones inesperadas.

Uso y cuidado de las baterías

Recargue las baterías solo con el cargador especificado por el fabricante. Es posible que un cargador que sea adecuado para un tipo de paquete de batería cree un riesgo de incendio cuando se utilice con otro paquete de batería.

Utilice las herramientas eléctricas solo con paquetes de batería designados específicamente. Es posible que el uso de cualquier otro paquete de batería cree un riesgo de lesiones e incendio.

Cuando el paquete de batería no se esté utilizando, manténgalo alejado de otros objetos metálicos, tales como clips sujetapapeles, monedas, llaves, clavos, tornillos u otros objetos metálicos pequeños, que puedan hacer una conexión de un terminal al otro. Si se cortocircuitan juntos los terminales de la batería es posible que se causen quemaduras o un incendio.

En condiciones abusivas es posible que se expulse líquido de la batería; evite el contacto. Si se produce contacto accidentalmente, enjuáguese con agua. Si el líquido entra en contacto con los ojos, obtenga además ayuda médica. Es posible que el líquido expulsado de la batería cause irritación o quemaduras.

No utilice un paquete de batería o una herramienta que esté dañada o modificada. Es posible que las baterías dañadas o modificadas exhiban un comportamiento imprevisible que cause incendio, explosión o riesgo de lesiones.

No exponga un paquete de batería o una herramienta a un fuego o a una temperatura excesiva. Es posible que la exposición a un fuego o a una temperatura superior a 265 °F cause una explosión.

Siga todas las instrucciones de carga y no cargue el paquete de batería ni la herramienta fuera del intervalo de temperatura especificado en las instrucciones. Es posible que la realización de la carga de manera inadecuada o a temperaturas que estén fuera del intervalo especificado dañe la batería y aumente el riesgo de incendio.

Servicio de ajustes y reparaciones

Haga que su herramienta eléctrica reciba servicio de ajustes y reparaciones por un técnico de reparaciones calificado que utilice únicamente piezas de repuesto idénticas. Esto garantizará que se mantenga la seguridad de la herramienta eléctrica.

No haga nunca servicio de ajustes y reparaciones de paquetes de batería dañados. El servicio de ajustes y reparaciones de paquetes de batería deberá ser realizado solo por el fabricante o por proveedores de servicio autorizados.

ADVERTENCIAS DE SEGURIDAD PARA EL ATORNILLADOR DE IMPACTO

Agarre la herramienta eléctrica por las superficies de agarre con aislamiento cuando realice una operación en la que el sujetador pueda entrar en contacto con cables ocultos. Es posible que los sujetadores que entren en contacto con un cable con corriente hagan que las partes metálicas de la herramienta eléctrica que estén al descubierto tengan corriente, lo cual podría causar una descarga eléctrica al operador.

ADVERTENCIA

El taladrado, el aserrado, el lijado o el maquinado de productos de madera puede exponerlo a usted a polvo de madera, una sustancia que el Estado de California sabe que causa cáncer. Evite inhalar polvo de madera o utilice una máscara u otras salvaguardas de protección personal. Para obtener más información, visite www.P65Warnings.ca.gov/wood

ADVERTENCIA

Cierto polvo generado por las operaciones de lijado, aserrado, amolado y taladrado con herramientas eléctricas, así como por otras actividades de construcción, contiene sustancias químicas que el estado de California sabe que causan cáncer, defectos de nacimiento u otros daños sobre la reproducción. Algunos ejemplos de estas sustancias químicas son:

- Plomo procedente de pinturas a base de plomo.
- Sílice cristalina procedente de ladrillos y cemento y otros productos de mampostería.









- Arsénico y cromo procedentes de madera de construcción tratada químicamente.







El riesgo para usted por causa de estas exposiciones varía, dependiendo de qué tan a menudo realice este tipo de trabajo. Para reducir su exposición a estas sustancias químicas:

- Trabaje en un área bien ventilada.
- Trabaje con equipo de seguridad aprobado, tal como máscaras antipolvo que estén diseñadas especialmente para impedir mediante filtración el paso de partículas microscópicas.
- Evite el contacto prolongado con el polvo procedente de las operaciones de lijado, aserrado, amolado y taladrado con herramientas eléctricas, así como de otras actividades de construcción. Use ropa protectora y lave las áreas expuestas del cuerpo con agua y jabón. Si deja que le entre polvo en la boca o en los ojos, o que le quede polvo en la piel, es posible que se promueva la absorción de sustancias químicas perjudiciales.

SÍMBOLOS

IMPORTANTE: Puede que algunos de los siguientes símbolos aparezcan en la herramienta. Estúdielos y conozca su significado. La interpretación correcta de estos símbolos le permitirá utilizar la herramienta de manera eficaz y segura.

Símbolo	Nombre	Designación/Explicación
V	Voltios	Voltaje
A	Amperios	Corriente
Hz	Hertz	Frecuencia (ciclos por segundo)
W	Vatios	Alimentación
kg	Kilogramos	Peso
min	Minutos	Hora
s	Segundos	Hora
Wh	Vatio por horas	Capacidad de la batería
Ah	Amperios por hora	Capacidad de la batería
∅	Diámetro	Tamaño de las brocas para taladro, piedras de amolar, etc.
n_0	Velocidad sin carga	Velocidad de rotación sin carga
n	Rango de velocidad	Velocidad máxima alcanzable
.../min	Revoluciones o reciprocaciones por minuto (rpm)	Revoluciones, pasadas, velocidad de superficie, órbitas, etc. por minuto
O	Posición de apagado	Velocidad cero, torsión cero...
1,2,3,... I,II,III,	Ajustes del selector	Ajustes de velocidad, par o posición. Un número mayor significa mayor velocidad
	Selector de regulación continua con apagado	La velocidad aumenta desde el ajuste 0
	Flecha	Acción en la dirección de la flecha
	Corriente alterna (CA)	Tipo o característica de corriente
	Corriente continua (CC)	Tipo o característica de corriente
	Corriente alterna o continua (CA/CC)	Tipo o característica de corriente
	Herramienta de Clase II	Designa las herramientas de construcción con doble aislamiento
	Conexión a tierra de protección	Terminal de conexión a tierra
	Sello de iones de litio de RBRC	Designa el programa de reciclaje de baterías de iones de litio

Símbolo	Nombre	Designación/Explicación
	Lea las instrucciones	Indica al usuario que lea el manual
	Símbolo de use de lentes de protección	Alerta al usuario para que use protección ocular
	Utilice siempre la herramienta con las dos manos	Alerta al usuario para que utilice siempre la herramienta con las dos manos
	No utilice el protector para operaciones de tronzado	Alerta al usuario para que no utilice el protector para operaciones de tronzado
	Zona de manos no	El área entre las líneas marcadas en el lado izquierdo y el lado derecho de la base. Esta zona se identifica por los símbolos de “Zona de Manos No” que se encuentran dentro de las líneas marcadas en la base.
	Símbolo de advertencia	No mire fijamente a la lámpara cuando esté encendida.

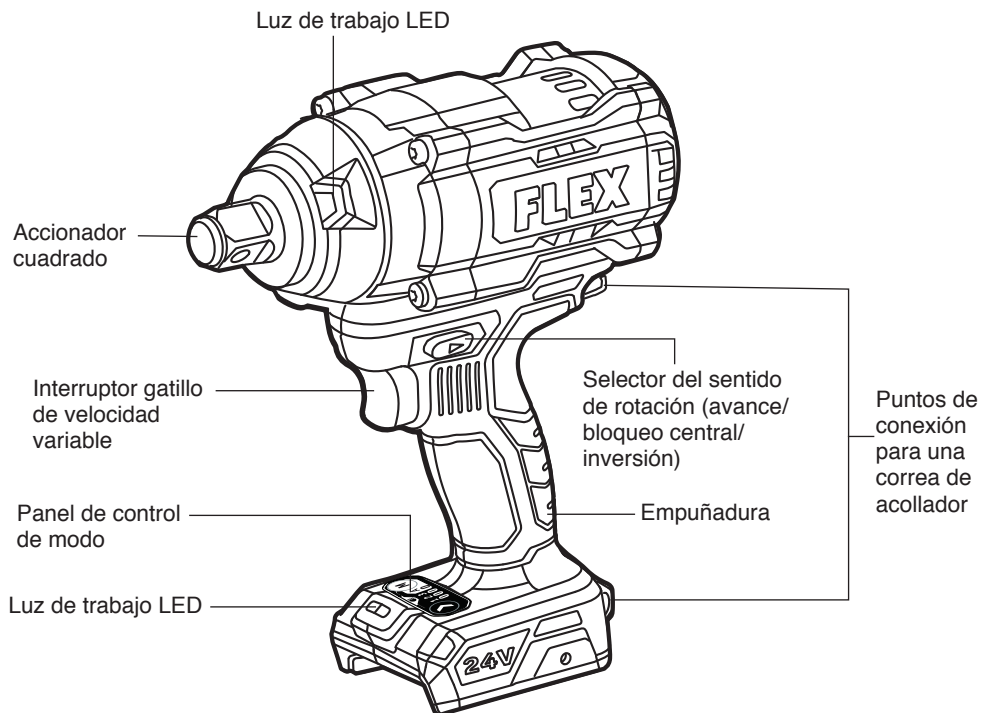
SÍMBOLOS (INFORMACIÓN DE CERTIFICACIÓN)

Símbolo	Designación/Explicación
	<p>Este símbolo designa que esta herramienta está incluida en la lista de Underwriters Laboratories.</p>
	<p>Este símbolo designa que esta herramienta es reconocida por Underwriters Laboratories.</p>
	<p>Este símbolo designa que esta herramienta está incluida en la lista de Underwriters Laboratories, conforme a las normas de Estados Unidos y Canadá.</p>
	<p>Este símbolo designa que esta herramienta está incluida en la lista de Canadian Standards Association.</p>
	<p>Este símbolo designa que esta herramienta está incluida en la lista de Canadian Standards Association, conforme a las normas de Estados Unidos y Canadá.</p>
	<p>Este símbolo designa que esta herramienta está incluida en la lista de Intertek Testing Services, conforme a las normas de Estados Unidos y Canadá.</p>

DESCRIPCIONES FUNCIONALES Y ESPECIFICACIONES

LLAVE DE IMPACTO DE ALTA FUERZA DE TORSIÓN

Fig. 1



Núm. de modelo	FX1472	FX1472B
Tensión nominal	24 V c.c.	
Accionador cuadrado	1/2 pulgada (12,7 mm)	3/4 de pulgada (19,1mm)
Velocidad sin carga	0-500/1000/1900 RPM	
Impactos por minuto	0-2350 IPM	
Fuerza de torsión máxima	1100 pies lb	1200 pies lb
Temperatura de funcionamiento recomendada	-4-104 °F (-20-40 °C)	
Temperatura de almacenamiento recomendada	< 122°F (< 50°C)	

ENSAMBLAJE

⚠ ADVERTENCIA Desinstale el paquete de batería de la herramienta antes de hacer cualquier ensamblaje o ajuste, o cambiar accesorios. Dichas medidas preventivas de seguridad reducen el riesgo de arrancar accidentalmente la herramienta.

PARA INSTALAR/DESINSTALAR EL PAQUETE DE BATERÍA (FIG. 2)

Bloquee el interruptor gatillo de velocidad variable en la posición de "APAGADO" de la herramienta colocando el selector del sentido de rotación (avance/bloqueo central/inversión) en la posición central antes de instalar o desinstalar el paquete de batería.

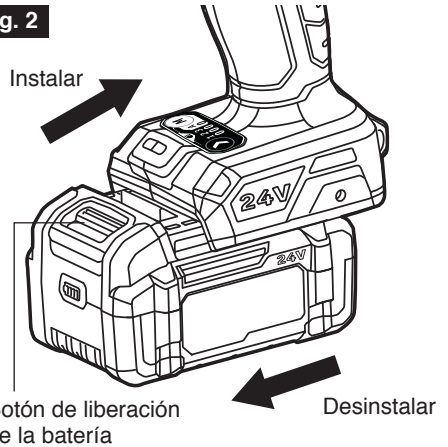
Para instalar el paquete de batería:

Alinee la costilla en relieve ubicada en el paquete de batería con los surcos ubicados en la herramienta y luego deslice el paquete de batería sobre la herramienta.

AVISO Cuando coloque el paquete de batería en la herramienta, asegúrese de que la costilla en relieve ubicada en el paquete de batería se alinee con el surco ubicado dentro de la herramienta y que los pestillos se acoplen adecuadamente a presión en la posición correcta. Una instalación incorrecta del paquete de batería puede causar daños a los componentes internos.

Para desinstalar el paquete de batería:

Fig. 2



Presione el botón de liberación de la batería ubicado en la parte delantera del paquete de batería para liberar dicho paquete. Jale hacia fuera el paquete de batería y retírelo de la herramienta.

⚠ ADVERTENCIA No intente modificar esta herramienta ni crear accesorios no recomendados para utilizarse con esta herramienta. Cualquiera de dichas alteraciones o modificaciones constituye un uso incorrecto y podría provocar una situación peligrosa que cause posibles lesiones graves.

INSTALE Y DESINSTALE LA BOCALLAVE DE IMPACTO (FIG. 3a-3b)

⚠ PRECAUCIÓN Asegúrese de que la bocallave de impacto y la porción de montaje no estén dañadas antes de instalar la bocallave de impacto.

Para instalar la bocallave de impacto:

- Alinee el cuadrado de la bocallave de impacto con el accionador cuadrado y empuje the bocallave de impacto sobre el accionador cuadrado tanto como sea posible.
- Si es necesario, golpéela ligeramente.

Para desinstalar la bocallave de impacto:

Simplemente jálala hacia fuera.

NOTA: El accionador cuadrado del modelo FX1472B cuenta con un agujero pasante (Fig. 3b). El agujero pasante permite una retención más segura de la bocallave por medio de una bocallave compatible y el uso del pasador y el anillo para accesorios o el retenedor de una pieza.

⚠ ADVERTENCIA No utilice bocallaves desgastadas o dañadas.

⚠ ADVERTENCIA Use guantes protectores cuando retire la bocallave de impacto de la herramienta o deje primero que la bocallave de impacto se enfríe. Es posible que la bocallave de impacto esté caliente después de un uso prolongado.

Fig. 3a

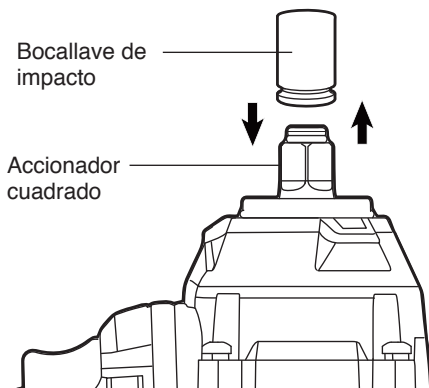
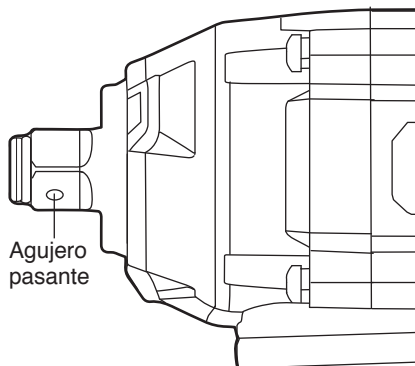


Fig. 3b

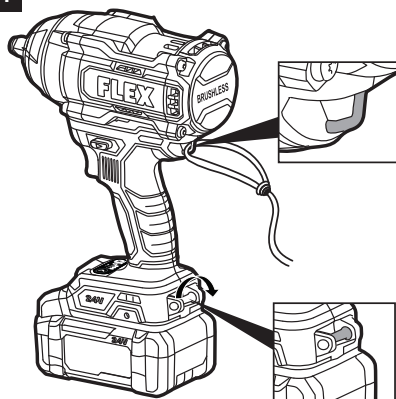


PUNTOS DE CONEXIÓN PARA UNA CORREA DE ACOLLADOR (FIG. 4)

Esta herramienta cuenta con dos puntos de conexión para un acollador. Un acollador (vendido por separado) reduce el riesgo de que la herramienta se caiga.

⚠ ADVERTENCIA ¡La herramienta es pesada! Para reducir el riesgo de lesiones, no utilice la correa para la muñeca.

Fig. 4



AJUSTES

SELECTOR DEL SENTIDO DE ROTACIÓN (AVANCE/BLOQUEO CENTRAL/INVERSIÓN)

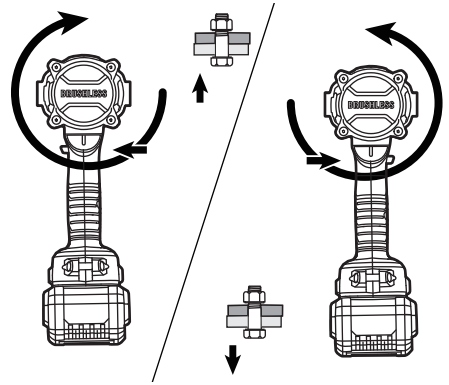
⚠ ADVERTENCIA Después de utilizar la herramienta, bloquee el selector del sentido de rotación en la posición de “APAGADO” (bloqueo central) para ayudar a prevenir arranques accidentales y posibles lesiones.

Esta herramienta está equipada con un selector del sentido de rotación, ubicado encima del interruptor gatillo de velocidad variable. Este selector se utiliza para cambiar el sentido de rotación del accionador cuadrado y bloquear el gatillo de velocidad variable en la posición de “APAGADO” (bloqueo central).

- Posicione el selector del sentido de rotación completamente hacia a izquierda de la herramienta para apretar pernos/tuercas (Fig. 5).
- Posicione el selector del sentido de rotación completamente hacia la derecha de la herramienta para aflojar pernos/tuercas (Fig. 5).
- Posicione el interruptor en la posición de “APAGADO” (bloqueo central) para ayudar a reducir la posibilidad de un arranque accidental cuando la herramienta no se esté utilizando.

AVISO Para prevenir daños a los engranajes, deje siempre que la llave de impacto se detenga por completo antes de cambiar el sentido de rotación.

Fig. 5



NOTA: La llave de impacto no funcionará a menos que el selector del sentido de rotación esté completamente acoplado hacia la izquierda o hacia la derecha.

⚠ ADVERTENCIA Las herramientas a batería están siempre en condiciones de funcionamiento. Por lo tanto, el selector del sentido de rotación (avance/ bloqueo central/inversión) deberá estar siempre bloqueado en la posición central cuando la herramienta no se esté utilizando o cuando usted la transporte a su lado.

LUZ DE TRABAJO LED (FIG. 6a–6b)

Esta herramienta está equipada con cuatro luces de trabajo LED con luminosidad ajustable (Fig. 6a y 6b). Dichas luces proporcionan iluminación adicional sobre la superficie de la pieza de trabajo. Las cuatro luces de trabajo LED se encienden y se apagan al mismo tiempo en cuanto se presiona el interruptor gatillo.

Para ajustar la luminosidad de las luces de trabajo:

NOTA: El ajuste de la luminosidad se aplica a las cuatro luces de trabajo. No hay manera de ajustar la luminosidad de cada luz individualmente.

1. Presione simultáneamente el "botón de control de apriete" y el botón "M" durante 2 segundos hasta que las cuatro luces indicadoras comiencen a parpadear al mismo tiempo durante 0,5 segundos y se apaguen durante 0,5 segundos, lo cual indica que la herramienta ha entrado en el modo de ajuste de la luminosidad de las luces de trabajo.
2. En el modo de ajuste de la luminosidad de las luces de trabajo, cada vez que usted presione el interruptor gatillo, la luminosidad de las dos luces de trabajo LED cambiará al siguiente nivel y ciclará entre los seis niveles de luminosidad siguientes.

1	2	3	4	5	6
Luz apagada	La más baja → La más alta				

3. Presione el botón de control de apriete o el botón "M" para salir del modo de ajuste de la luminosidad de las luces. Si no se realiza ninguna operación durante 5 segundos, la herramienta saldrá automáticamente del modo de ajuste de la luminosidad.

NOTA: Mientras se esté en el modo de ajuste de la luminosidad de las luces de trabajo, el interruptor gatillo funcionará solo como "botón" de ajuste de la luminosidad.

La próxima vez que se encienda la herramienta, la función de memoria recordará el último nivel de luminosidad de las luces de trabajo y revertirá a dicho nivel.

Las cuatro luces de trabajo se apagarán automáticamente alrededor de 10 segundos después de soltar el interruptor gatillo.

Fig. 6a

Luz de trabajo LED

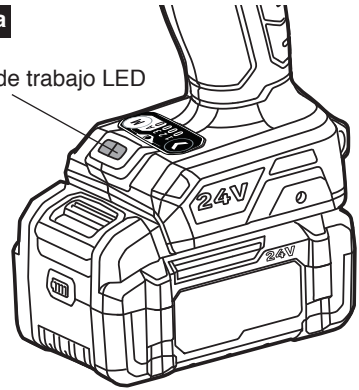
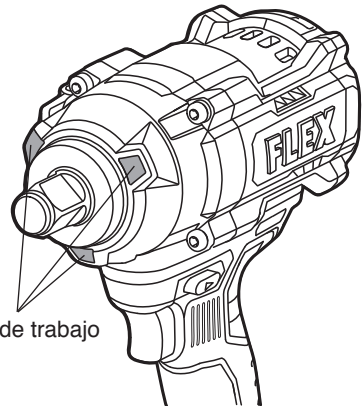


Fig. 6b

Luces de trabajo LED



SELECCIÓN DE MODO (FIG. 7)

Esta herramienta está equipada con un panel de control de modo, ubicado en el pie de la misma. Consiste en el botón de control de apriete, el botón “M” y las luces indicadoras de los modos de trabajo.

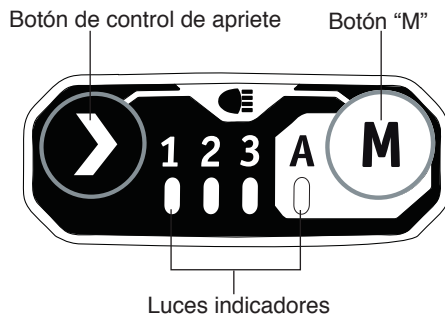
El botón de control de apriete se utiliza para seleccionar entre tres modos con fuerza de torsión, velocidad de rotación (RPM) y velocidad de impacto (IPM) preajustadas para la aplicación prevista. Los modos 1, 2 y 3 son los únicos modos en los que la velocidad es controlada por el interruptor gatillo de velocidad variable.

“A” es un modo especial, que está diseñado para utilizarse tanto con rotación de avance para apretar los pernos o las tuercas, como con rotación inversa para aflojar los pernos o las tuercas.

En la posición de **rotación de avance**, la llave de impacto dejará de funcionar cuando el perno o la tuerca estén preapretados y entonces la llave de torsión se podrá utilizar para completar el trabajo. Esta función tiene una alta eficiencia de trabajo y el perno o la tuerca no se apretarán excesivamente.

En la posición de **rotación inversa**, una vez que el perno o la tuerca se aflojen, la llave de

Fig. 7



impacto dejará de funcionar para evitar que el perno o la tuerca se caigan.

Utilización del botón “M”:





Presione directamente el botón “M” sin tocar el interruptor gatillo. La luz indicadora correspondiente se iluminará para indicar el modo activo.

Vea más detalles en el cuadro que aparece a continuación:

Rotación de avance:

Luz indicadora ubicada en el panel de control	Modo de trabajo	IPM (impactos por minuto) máximos	Aplicación
	1	1000	Apretar con ajuste fino pernos y tuercas pequeños.
	2	2000	Fuerza de torsión de apriete moderada.
	3	2350	Fuerza de torsión de apriete máxima.
	A	/	Apretar con parada automática.

Rotación inversa:

Luz indicadora ubicada en el panel de control	Modo de trabajo	IPM (impactos por minuto) máximos	Aplicación
	1	1000	Aflojar con ajuste fino pernos y tuercas pequeños.
	2	2000	Fuerza de torsión de aflojamiento moderada.
	3	2350	Fuerza de torsión de aflojamiento máxima.
	A	/	Aflojamiento con parada automática.

 ENCENDIDA ;  APAGADA

⚠ ADVERTENCIA No cambie el modo de trabajo mientras la herramienta esté en funcionamiento. Es posible que un cambio repentino de fuerza de torsión cause pérdida de control y provoque posibles lesiones o daños a la herramienta o la pieza de trabajo.

NOTA: La luz indicadora o las luces indicadoras LED se apagarán aproximadamente 1 minuto después de soltar el interruptor gatillo.

NOTA: Cuando la herramienta se encienda después de un descanso, el modo de trabajo revertirá al último ajuste utilizado.

INSTRUCCIONES DE UTILIZACIÓN

⚠️ ADVERTENCIA Para reducir el riesgo de incendio, lesiones corporales y daños al producto debido a un cortocircuito, no sumerja nunca su herramienta, el paquete de batería o el cargador en un líquido ni deje que un líquido fluya dentro de ellos. Los líquidos corrosivos o conductores, tales como agua de mar, ciertas sustancias químicas industriales y el blanqueador o los productos que contienen blanqueador, etc., pueden causar un cortocircuito.

⚠️ ADVERTENCIA Si alguna de las piezas está dañada o falta, no utilice este producto hasta que las piezas hayan sido reemplazadas. La utilización de este producto con piezas dañadas o si le faltan piezas podría causar lesiones corporales graves.

⚠️ ADVERTENCIA Para prevenir arranques accidentales que podrían causar lesiones corporales graves, retire siempre el paquete de batería de la herramienta cuando ensamble piezas.

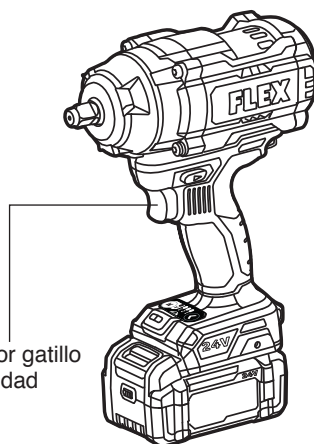
INTERRUPTOR GATILLO DE VELOCIDAD VARIABLE (FIG. 8)

Esta herramienta está equipada con un interruptor gatillo de velocidad variable. La herramienta se puede ENCENDER o APAGAR presionando o soltando el interruptor gatillo de velocidad variable.

El interruptor gatillo de velocidad variable produce una velocidad más alta con una presión mayor sobre el gatillo y una velocidad más baja con una presión menor sobre el gatillo.

Esta llave de impacto se debe utilizar solo con los paquetes de batería y los cargadores que se indican a continuación:

Fig. 8



Interruptor gatillo de velocidad variable

Paquete de batería								Cargador			
2.0Ah	2.5Ah	3.5Ah	5.0Ah	6Ah	8.0Ah	10Ah	12Ah				
FX0311	FX0111	FX0321	FX0121	FX0331	FX0221	FX0341	FX0231	FLEX FX0411	FLEX FX0421	FLEX FX0431	FLEX FX0451

NOTA: Sírvase consultar los manuales del paquete de batería y del cargador para obtener instrucciones detalladas de utilización.

APRIETE Y AFLOJE TUERCAS Y PERNOS (FIG. 9)

Para apretar tuercas y pernos

Utilice la bocallave que coincida con la tuerca o el perno.

Seleccione un modo de trabajo adecuado o el modo "A", dependiendo del tipo o tamaño del perno y la tuerca. Antes de comenzar su trabajo, realice siempre una operación de prueba para determinar el tiempo de apriete adecuado para el perno o la tuerca que vaya a apretar.

- Ponga el selector del sentido de rotación en la configuración de avance.
- Agarre firmemente la herramienta y coloque la bocallave sobre el perno o la tuerca. Asegúrese de que la longitud completa de la cabeza del perno o la tuerca esté completamente acoplada en la bocallave.
- Presione el interruptor gatillo de velocidad variable para encender la llave de impacto. Comience lentamente, aumentado la velocidad a medida que la tuerca o el perno avancen. Ajuste firmemente la tuerca o el perno reduciendo la velocidad de la herramienta hasta que se detenga.

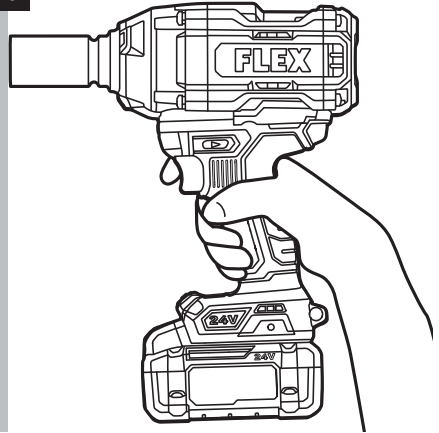
⚠ ADVERTENCIA Si no se sigue este procedimiento, la herramienta tendrá tendencia a experimentar fuerza de torsión o torcerse en las manos del operador.

- Apriete el perno o la tuerca con la fuerza de torsión adecuada.
- Después de realizar el apriete, compruebe siempre la fuerza de torsión con una llave de torsión. Si los sujetadores están demasiado apretados, reduzca el tiempo de impacto. Si no están suficientemente apretados, aumente el tiempo de impacto.

NOTA: Agarre la herramienta directamente a lo largo del eje del perno o la tuerca.

AVISO Es posible que una fuerza de torsión de apriete excesiva dañe el perno/la tuerca o la bocallave.

Fig. 9



Para aflojar tuercas y pernos

Utilice ya sea el modo 1, 2 o 3, o el modo "A" para aflojar tuercas y pernos, dependiendo de la aplicación.

Cuando trabaje por encima de la cabeza o trabaje en llantas de automóvil, para evitar que los sujetadores aflojados se caigan al piso o a un espacio reducido, se recomienda utilizar el modo "A" para hacer este trabajo.

- Ponga el sentido de rotación en la configuración de inversión.
- Agarre firmemente la herramienta y coloque la bocallave sobre el perno o la tuerca. Asegúrese de que la longitud completa de la cabeza del perno o la tuerca esté completamente acoplada en la bocallave.
- Presione el interruptor gatillo de velocidad variable para encender la llave de impacto. Una vez que el sujetador esté flojo, la herramienta dejará de funcionar. Esta herramienta también le permite a usted continuar presionando el interruptor gatillo para retirar la tuerca del perno largo, en caso de que sea necesario.

MANTENIMIENTO

SERVICIO DE AJUSTES Y REPARACIONES

⚠ ADVERTENCIA Es posible que el mantenimiento preventivo realizado por personal no autorizado dé lugar a una colocación incorrecta de los cables y componentes internos, lo cual podría causar un peligro grave. Recomendamos que todo el servicio de ajustes y reparaciones de la herramienta sea realizado por un Centro de Servicio de Fábrica FLEX o una Estación de Servicio FLEX Autorizada.

MANTENIMIENTO GENERAL

⚠ ADVERTENCIA Cuando haga servicio de ajustes y reparaciones, utilice únicamente piezas de repuesto idénticas. La utilización de cualquier otra pieza podría crear un peligro o causar daños al producto. Inspeccione periódicamente todo el producto para determinar si hay piezas dañadas, si faltan piezas o si hay piezas flojas, tales como tornillos, tuercas, pernos, tapas, etc. Apriete firmemente todos los sujetadores y todas las tapas, y no utilice este producto hasta que todas las piezas que falten o estén dañadas hayan sido reemplazadas. Sírvase contactar a servicio al cliente o a un centro de servicio autorizado para obtener asistencia.

⚠ ADVERTENCIA Para evitar lesiones corporales graves, retire siempre el paquete de batería de la herramienta cuando realice limpieza o efectúe cualquier mantenimiento.

LIMPIEZA

⚠ ADVERTENCIA La herramienta se puede limpiar con la máxima eficacia con aire comprimido seco. Use siempre anteojos de seguridad cuando limpie herramientas con aire comprimido. Las aberturas de ventilación y las palancas de interruptor se deben mantener limpias y libres de materia extraña. No intente limpiar la herramienta insertando objetos puntiagudos a través de las aberturas.

⚠ ADVERTENCIA Ciertos agentes de limpieza y solventes dañan las piezas de plástico. Algunos de estos son: gasolina, tetracloruro de carbono, solventes de limpieza clorados, amoníaco y detergentes domésticos que contienen amoníaco.

ALMACENAMIENTO

Almacene la herramienta en un lugar interior que sea inaccesible para los niños. Manténgala alejada de los agentes corrosivos.

GARANTÍA LIMITADA DE 5 AÑOS FLEX

Chervon North America, Inc. (el “Vendedor”) garantiza, únicamente al comprador original, que todos los productos FLEX de 24 V estarán libres de defectos de material o de fabricación durante un período de cinco años a partir de la fecha de compra cuando el comprador original registre el producto dentro del plazo de 30 días después de la fecha de compra minorista original y retenga el recibo como comprobante de compra. EL PERÍODO DE GARANTÍA LIMITADA DE 5 AÑOS ESTÁ CONDICIONADO AL REGISTRO DEL PRODUCTO DENTRO DEL PLAZO DE 30 DÍAS DESPUÉS DE REALIZAR LA COMPRA Y SOLO ES APLICABLE A LAS HERRAMIENTAS, BATERÍAS Y CARGADORES FLEX DE 24 V. Si el comprador original no registra su producto dentro del plazo de 30 días, la garantía limitada que antecede tendrá aplicación durante un período de tres años. El registro del producto se puede completar en línea en www.registermyflex.com.

Herramientas de 24 V: Garantía Limitada de 5 Años con registro

Baterías y cargadores de 24 V: Garantía Limitada de 5 Años con registro

Productos FLEX Legacy alámbricos, de 12 V y de 20 V: Garantía Limitada de 1 Año. No hay beneficio de registro

Sistema de almacenamiento FLEX STACK PACK™: Garantía Limitada de 1 Año con el registro

Aditamentos funcionales FT161 y FT421: Garantía Limitada de 5 Años con el registro / Garantía Limitada de 3 Años sin el registro

Otros accesorios y aditamentos: Ninguna garantía

LA ÚNICA OBLIGACIÓN DEL VENDEDOR Y EL REMEDIO EXCLUSIVO PARA USTED bajo esta Garantía Limitada y, en la medida en que la ley lo permita, cualquier garantía o condición implícita por ley, será la reparación o el reemplazo de las piezas, sin cargo alguno, que presenten defectos de material o de fabricación y que no hayan sido utilizadas incorrectamente, manejadas descuidadamente o reparadas por personas que no sean un Distribuidor de Servicio Autorizado FLEX. Esta garantía no cubre la falla de piezas debida al desgaste por el uso normal. Para presentar un reclamo bajo esta garantía, devuelva el producto completo, con el transporte prepago, a cualquier Distribuidor de Servicio Autorizado FLEX. Para localizar los Distribuidores de Servicio FLEX Autorizados, sírvase visitar www.registermyflex.com o llamar al 1-833-FLEX-496 (1-833-353-9496).

La Garantía Limitada de 5 Años no se aplica a los accesorios, los aditamentos ni las piezas.

La garantía limitada de 1 año para el sistema de almacenamiento FLEX STACK PACK™ cubre solo las cajas de herramientas y no se aplica a los aditamentos del sistema ni a los accesorios de las herramientas eléctricas.

Cualquier garantía implícita aplicable a un producto estará limitada en duración a la misma duración que las garantías expresas aplicables a dicho producto, tal y como se establece en el primer párrafo que antecede. Algunos estados de los EE.UU. y algunas provincias canadienses no permiten limitaciones en cuanto a la duración de una garantía implícita, por lo que es posible que la limitación que antecede no tenga aplicación.

FLEX no es responsable por daños directos, indirectos, incidentales o emergentes. Algunos estados de los EE.UU. y algunas provincias canadienses no permiten limitaciones en cuanto a la duración de una garantía implícita y/o no permiten la exclusión o limitación de los daños incidentales o emergentes, por lo que es posible que las limitaciones o exclusiones que anteceden no tengan aplicación. Esta garantía limitada le confiere a usted derechos legales específicos y es posible que usted tenga también otros derechos que varían según el estado en los EE.UU. y según la provincia en Canadá.

Esta garantía limitada se aplica solo a los productos vendidos dentro de los Estados Unidos de América, Canadá y la mancomunidad de Puerto Rico. Para obtener cobertura de garantía en otros países, contacte a su distribuidor local de FLEX.

© Chervon North America, 1203 E. Warrenville Rd., Naperville, IL 60563

es.flexpowertools.com
www.registermyflex.com

1-833-FLEX-496 (1-833-353-9496)

04/2024

