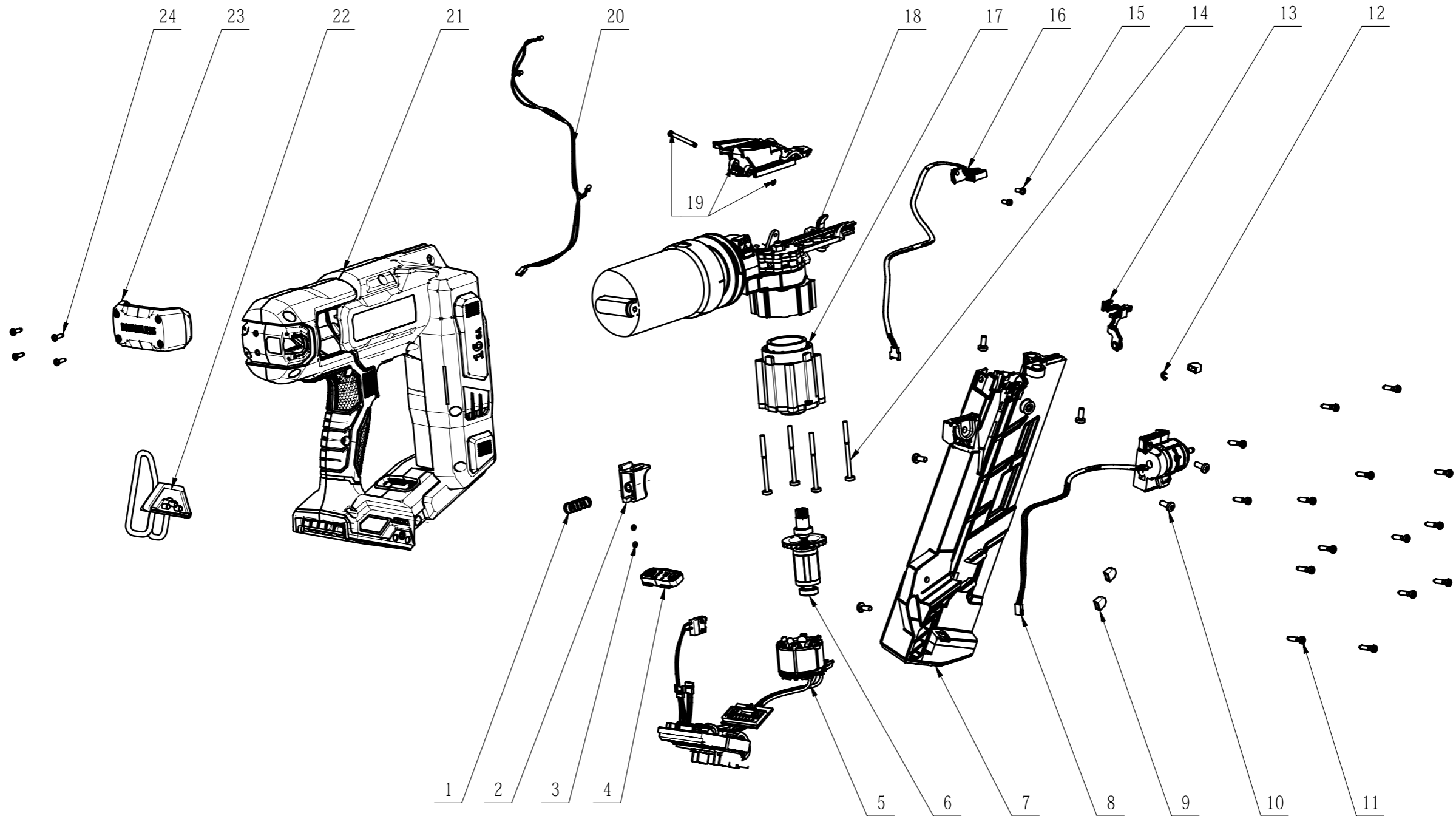


# FLEX®

Product Description:Nailer  
Model Number:FX4321A  
Service Item Number:F250020001S01  
Version:A  
Issue Date: 2024/01/29



No.	Part No.	Description	Qty
1	3668036001	Compression Spring	1
2	3132975002	Switch Button	1
3	3120963003	O Ring	2
4	2850727001	Button Assembly	1
5	2851444001	Stator and Electronic Components	1
6	2851303001	Rotor & Motor Gear Assembly	1
7	2850324002	Magazine Assembly	1
8	2850407001	Depth Adjusting Set	1
9	3135482001	Gasket	3
10	5620424003	Screw	6
11	5610264004	Hexagon Lobular Screw	15
12	5660001002	E Ring	1
13	3522182001	Handspike	1
14	5610867001	Cross Recess Pan Head Screw	4
15	5620724001	Cross Recessed Pan Head Screw	2
16	2831915001	Hall Electric Assembly	1
17	2790831001	Gear Case Assembly	1
18	2850749002	Pneumatic Assembly	1
19	2851445001	Locking Trigger & Clamp Assembly	1
20	4360329001	LED Assembly	1
21	2851443001	Housing Assembly	1
22	2850862001	Pothook Assembly	1
23	3323741001	Close Cover	1
24	5610011006	Tapping Screw	4

